

MTS035-□F Series



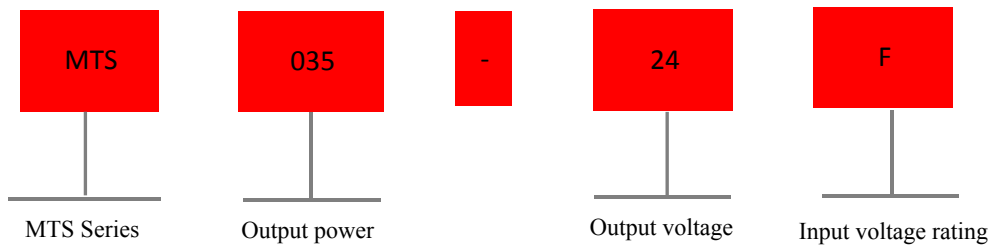
▲ Features

- No load power consumption <math>< 0.2\text{W}</math>
- Withstand 300VAC surge input for 5 second
- Miniature size and 1U low profile
- High operating temperature up to 70°C
- Protections: short circuit/overload/over voltage
- Universal AC input /Full range
- Withstand 5G vibration test
- High efficiency, long life and high reliability
- Cooling by free air convection
- Operating altitude up to 5000meters
- LED indicator for power on
- 100% full load burn-in test
- 3 years warranty

▲ Applications

- Industrial automation control system
- Intelligent control system
- Electronic instruments and devices
- LED control
- Household appliances

▲ Model code

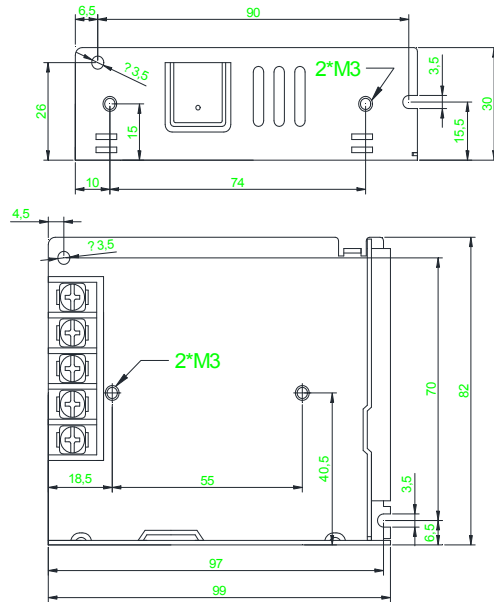




Electrical specifications

Input parameter				
Voltage range	85-264VAC 120-373VDC			
AC current	0.95A/115VAC 0.56A/230VAC			
Frequency range	47-63Hz			
Inrush current (max)	45A/230VAC			
Output parameter				
DC voltage (V)	5V	12V	15V	24V
Efficiency	83%	86%	88%	88%
Rated Current(A)	7A	3A	2.4A	1.45A
Rated power(W)	35W	36W	36W	34.8W
Ripple & noise(max)Note.2	80mVp-p	120mVp-p	120mVp-p	150mVp-p
Voltage tolerance Note.3	±2%	±1%	±1%	±1%
Line regulation Note.4	±0.5%	±0.5%	±0.5%	±0.5%
Load regulation Note.5	±1%	±0.5%	±0.5%	±0.5%
Setup, rise time	1000ms 30ms/230VAC 2000ms 30ms/115VAC(at full load)			
Hold up time	20ms/230VAC 16ms/115VAC(at full load)			
Status indicator	Green LED			
Protect function				
Overload	The rated output power is 110%-150%			
	Protection mode: Hiccup mode, recovers automatically after fault condition is removed			
Over voltage(V)	5.9-7.3V	13.8-16.2V	18.75-21.75V	28.8-33.6V
	Protection mode:Hiccup mode, recovers automatically after fault condition is removed			
Safety and electromagnetic compatibility				
Withstand voltage	I/P-O/P:3KVAC I/P-FG:1.5KVAC O/P-FG:0.5KVAC			
Isolation resistance	I/P-O/P,I/P-FG,O/P-FG :100M Ohms/500VDC/25°C/70 % RH			
Safety specification Note.6	60950-1、GB4943.1			
EMC emission	Design reference EN55022(CISPR22)Class B,EN61000-3-2,-3			
EMC immunity	Design reference EN61000-4-2, 3, 4, 5, 6, 8, 11, EN61000-6-1, light industry level, criteria A			
Environmental parameters				
Working temperature	- 25~+70 °C (Refer to "Derating curve ")			
Storage temperature	- 40~+85°C			
Storage humidity	10-95 % RH			
Vibration	10-500Hz,2G 10 min/cycle X,Y,Z axis 60 minutes.			
The other parameters				
Mean time between failure	763.6 hrs min MIL-HDBK-217F(25°C)			
Installation	Back-mounted			
Protection class	IP20			
Weight	0.2kg			
Length*width*height	99*82*30			
Order data	Parameters to describes	Order type		
	MTS 35W 7A/5V	MTS035-05F		
	MTS 36W 3A/12V	MTS035-12F		
	MTS 36W 2.4A/15V	MTS035-15F		
	MTS 34.8W 1.45A/24V	MTS035-24F		

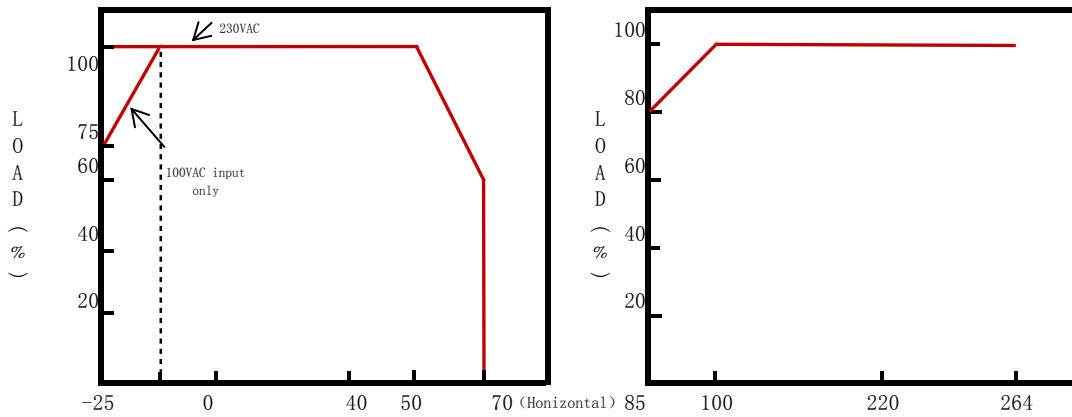
Installation diagram



Installation Instructions

Terminal spec	U Type of the width of the terminal	Wire installation specification	Max. Torque
95 Terminals	8mm MAX	22-12AWG	1.2N.m(MAX)

Derating curve



Note:

1. All parameters NOT specially mentioned are measured at 230VAC input, rated load and 25°C of ambient temperature.
2. Ripple & noise are measured at 20MHz of bandwidth by using a 12" twisted pair-wire terminated with a 0.1uf & 47uf parallel capacitor.
3. Tolerance : includes set up tolerance, line regulation and load regulation.
4. Line regulation is measured from low line to high line at rated load.
5. Load regulation is measured from 0% to 100% rated load.
6. Length of set up time is measured at cold first start. Turning ON/OFF the power supply very quickly may lead to increase of the set uptime.
7. 5V when the load factor 0-50%, the switching power less is reduced by burst operation, which will cause ripple and ripple noise to go beyond the specifications.
8. The ambient temperature derating of 5 °C/1000m is needed for operating altitude greater than 2000m(6500ft).