



**AVVOLGITUBO "LS", A 2 VIE IDRAULICHE
CON BLOCCO DEL TUBO**

**ENROULEUR "LS" A 2 TUYAUX
AVEC ARRÊT DU TUYAU**



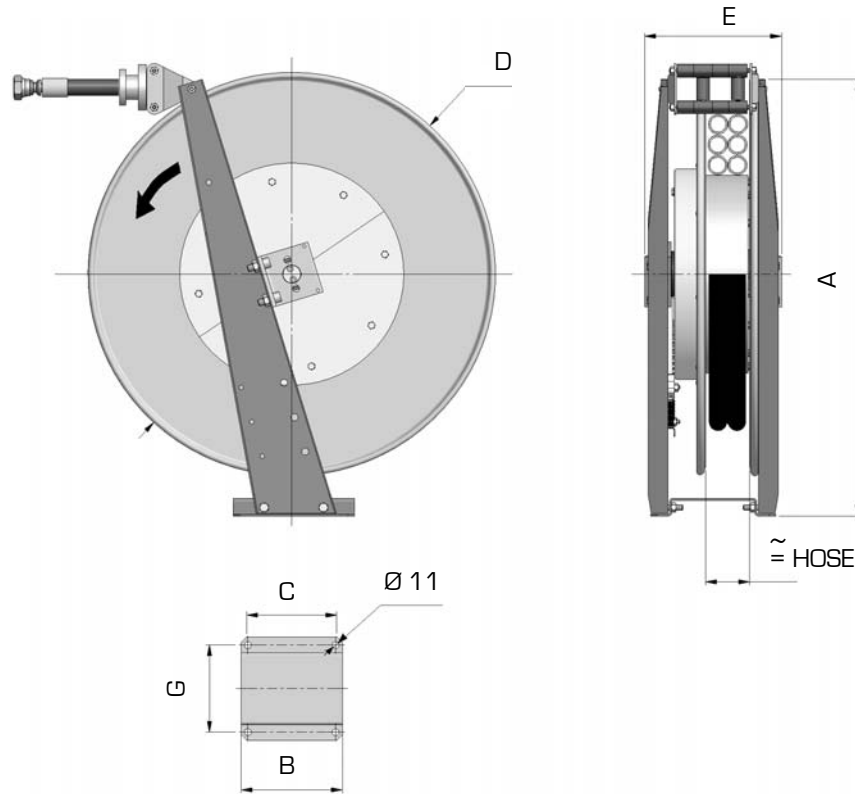
**"LS" 2 PORT HOSE REEL
WITH HOSE LOCK SYSTEM**



**DOPPELSCHLAUCHROLLE "LS"
MIT SCHLAUCHARRETIERUNG**

LS

141.1



MODELLO MODEL	PRESSIONE WORK.PRESS. MAX bar	A	B	C	D	E	G	Tubo /Hose		
								tipo type	Ø	m
AG400.06 LS/300	300	670	200	160	400	200	160	B1	1/4"	7,3
AG400.08 LS/300									5/16"	6,5
AG400.10 LS/300									3/8"	5,6
AG470.06 LS/300	300	670	200	160	470	200	160	B1	1/4"	11,5
AG470.08 LS/300									5/16"	10,5
AG470.10 LS/300									3/8"	10,0
AG520.06 LS/300	300	670	200	160	520	200	160	B1	1/4"	14,5
AG520.08 LS/300									5/16"	13,5
AG520.10 LS/300									3/8"	12,5
AG600.06 LS/300	300	670	200	160	620	200	160	B1	1/4"	21,0
AG600.08 LS/300									5/16"	17,0
AG600.10 LS/300									3/8"	16,0
AG600.12 LS/300									1/2"	12,0
AG700.06 LS/300	300	780	290	260	720	237	192	B1	1/4"	23,0
AG700.08 LS/300									5/16"	21,0
AG700.10 LS/300									3/8"	21,0
AG700.12 LS/300									1/2"	15,0
AG800.06 LS/300	300	890	290	260	820	237	192	B1	1/4"	28,0
AG800.08 LS/300									5/16"	26,0
AG800.10 LS/300									3/8"	25,0
AG800.12 LS/300									1/2"	21,0
AG470.06 LS/700	700	670	200	160	470	200	160	B3	1/4"	9,0
AG520.06 LS/700		670	200	160	520	200	160			12,5
AG600.06 LS/700		670	200	160	620	200	160			17,5
AG700.06 LS/700		780	200	160	720	200	160			25,0
AG800.06 LS/700		890	290	260	820	237	192			28,0