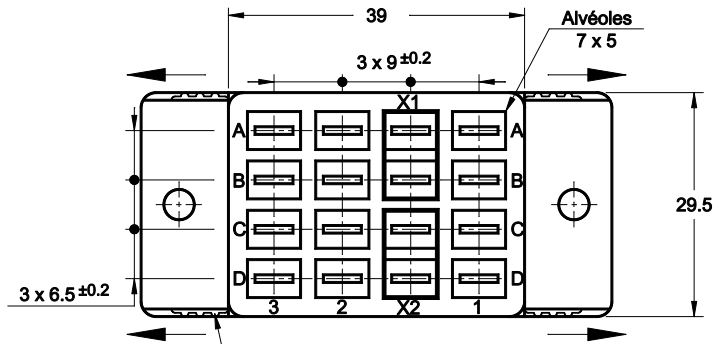
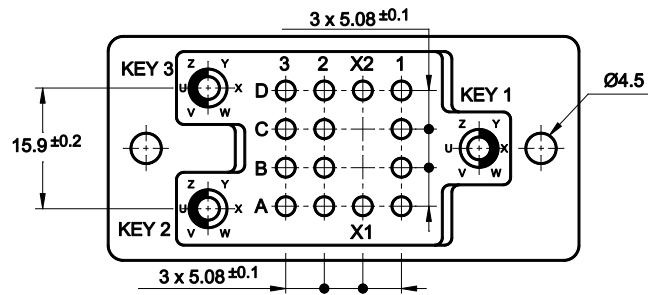


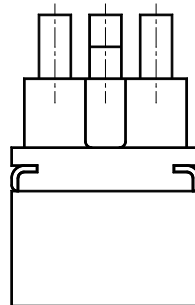
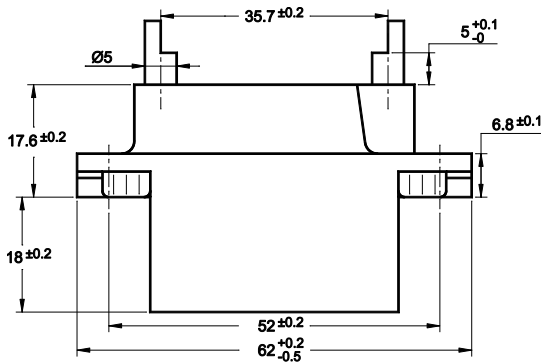
# SF400 -1F

RAILWAY ROLLING STOCK: BASE FOR H MOUNTING RELAYS  
MATERIEL FERROVIAIRE: EMBASE POUR RELAIS H

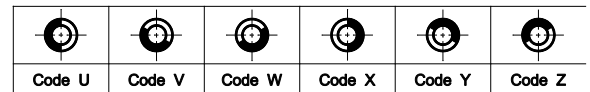


4 ACTUATORS (DRAWING IS IN LOCKED POSITION)  
4 ACTIONNEURS (DESSIN EN POSITION BLOQUÉE)

Applicable relays:  
SERIES F470, FD470, F470S1



### CODING KEY DETAIL DÉTAIL CLÉS DE DÉTROMPAGE



## GENERAL CHARACTERISTICS CARACTERISTIQUES GENERALES

<b>Connections by 5 mm tabs according to ST363C</b> <i>Connexions par languette de 5 suivant ST363C</i>	
<b>Contact Resistance / Résistance de contact</b>	< 5mΩ
<b>Maximum Current / Intensité maximale</b>	15A
<b>Dielectric Strength / Rigidité diélectrique</b>	2625 Vrms / 50 HZ
<b>Insulation Resistance / Resistance d'isolement</b>	> 1000 MΩ at 100 Vdc
<b>Weight / Masse</b>	70g max

LEACH INTERNATIONAL EUROPE S.A.S.  
Tel: +33 3 87 97 98 97  
Fax: +33 3 87 97 96 86

LEACH INTERNATIONAL ASIA PACIFIC  
Tel: +852 2 191 3830  
Fax: +852 2 389 5803

The technical information provided by Leach International Europe is to be used as a guide only, and is not meant for publication or as documentation for altering any existing specification. Dimensions are in millimeters unless otherwise specified. Rev. 06/2019.

## MOUNTING STYLES TYPES DE FIXATIONS

