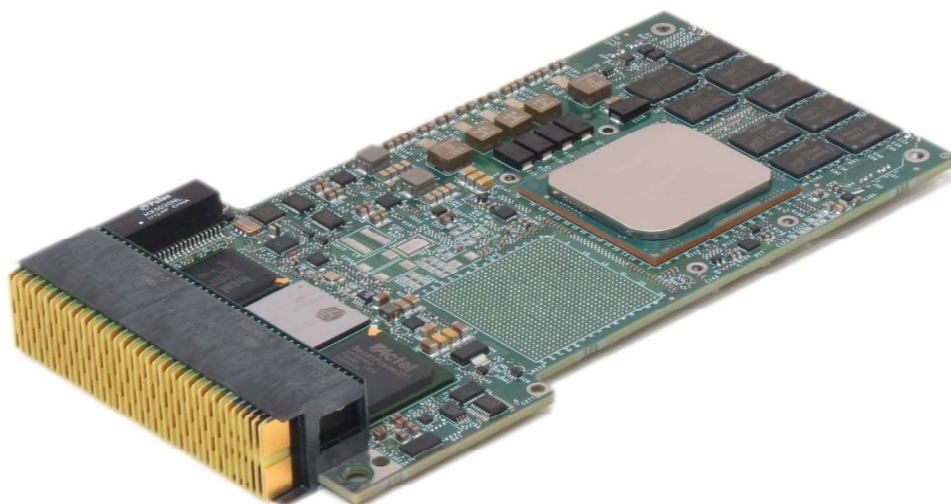


C878 | 3U VPX SBC

Intel® Xeon® D with Security & Zynq UltraScale+



Embedded Computing
without Compromise



- Rugged 3U VPX Single-Slot SBC
- Intel CPU Options
 - ▶ Xeon D-1577 – 16 cores/32 threads, @ 1.3 GHz/2.1 GHz Turbo Boost
 - ▶ Xeon D-1559 – 12 cores/24 threads, @ 1.5 GHz/2.1 GHz Turbo Boost
 - ▶ Pentium D-1519 – 4 cores/8 threads, @ 1.5 GHz/2.1 GHz Turbo Boost
- Up to 32 GB DDR4 w/ECC @ 2133 MT/s
- Up to 1 TB On-Board SATA SSD, with Encryption, Quick Erase, and Secure Erase
- Versatile Board I/O
 - ▶ USB 3.0 & 2.0
 - ▶ Serial
 - ▶ 10GbE
 - ▶ SATA III
 - ▶ Discrete
 - ▶ GbE
 - ▶ PCIe Gen2 x1
 - ▶ DVI Out
- Xilinx UltraScale+ FPGA w/ARM CPU
 - ▶ Custom I/O and Security Features
 - ▶ PCIe x8 Gen3 Link to Xeon CPU
- 16 Lane PCIe Gen3 VPX Switch Fabric
- AiSecure™ - Aitech Cyber Security Architecture
- WWDT, ETR, RTC, Temp. Sensors
- IPMI, VITA 46.11 Tier 1 & Tier 2 Support
- Windows®, Linux®, VxWorks® Support
- OpenVPX Compliant
- 2LM Option per VITA 48.2
- Conduction and Air-Cooled Versions
- Vibration and Shock Resistant



www.aitechsystems.com

C878 | 3U VPX SBC

Intel® Xeon® D with Security & Zynq UltraScale+

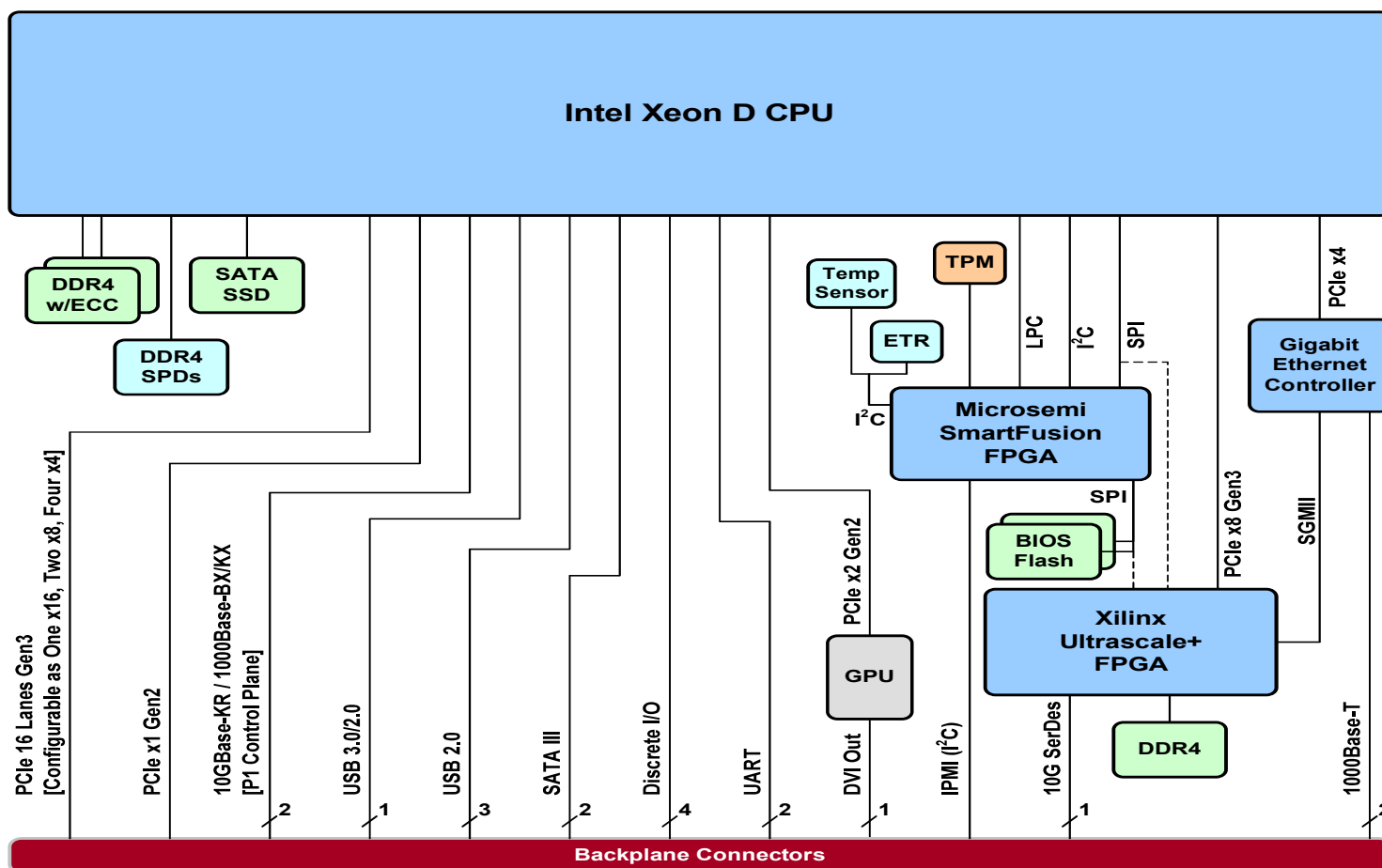


Embedded Computing
without Compromise

The C878 packs Xeon level processing capabilities into the rugged and compact 3U VPX form factor. Several Intel Xeon D and Pentium CPU options are available, to provide the balance of CPU throughput and board power consumption that are best for your system.

Designed from the ground up with security in mind, the C878 provides a comprehensive Cyber Security platform – AiSecure™ (Aitech Cyber Security Architecture) including standard Intel CPU security features (TXT, AES-NI, etc.), as well as an on-board TPM 2.0 (Trusted Platform), SSD options with AES 256 Encryption, Quick Erase, and Secure Erase features, Security Manager, tamper detection, and a variety of FPGA protection tools. Aitech has also included options for board security features and encryption that can be customized in the optional Xilinx UltraScale+ FPGA.

The C878 is designed with a modern, high-bandwidth bus architecture and a versatile assortment of on-board I/O interfaces. The VPX PCIe Switch Fabric capabilities allow for extensive system expansion options. The board is available in both air-cooled and conduction-cooled versions.



C878 | 3U VPX SBC

Intel® Xeon® D with Security & Zynq UltraScale+



Embedded Computing
without Compromise

Board Architecture

CPU	<p>The C878 is available with the following Intel CPU options:</p> <ul style="list-style-type: none">• Xeon D-1577 – 16 cores/32 threads (Hyper-Threading) @ 1.3 GHz, 2.1 GHz Turbo Boost, 24 MB Cache• Xeon D-1559 – 12 cores/24 threads (Hyper-Threading) @ 1.5 GHz, 2.1 GHz Turbo Boost, 18 MB Cache• Pentium D-1519 – 4 cores/8 threads (Hyper-Threading), @ 1.5 GHz, 2.1 GHz Turbo Boost, 6 MB Cache <p>Note: The Pentium D-1519 CPU option supports only PCIe Gen2 maximum speeds and does not support PCIe Gen3</p> <p>Supports Virtualization Technology (VT-x), AES-NI, Secure Key RNG, Trusted Execution Technology (TXT), AVX2</p>
GPU	<ul style="list-style-type: none">• 128-bit 2D Graphics Engine• HW Video Decoder supports MPEG-2, MPEG-4, VC-1, H.264 MVC/AVS+, JPEG/MJPEG
Xilinx UltraScale+ FPGA	<p>Optional Xilinx UltraScale+ FPGA w/ARM CPU, linked to the Xeon CPU via PCIe x8 Gen3, enables implementation of customized I/O interfaces and on-board security features. Available options include:</p> <ul style="list-style-type: none">• ZU4CG – 192k System Logic Cells• ZU7CG – 504k System Logic Cells
Board Resources	<ul style="list-style-type: none">• Watchdog Timers (Windowed & Standard)• Real Time Clock• General Purpose DMA Engine• Temperature Sensors• Elapsed Time Recorder• VITA 46.11 Tier 1 & Tier 2 IPMI (Intelligent Platform Management Interface)
OpenVPX (VITA 65) Slot Profiles	<p>The following OpenVPX slot profiles are supported by standard configurations of the C878:</p> <ul style="list-style-type: none">• SLT3-PAY-2F2U Payload board, 2 PCIe x4 ports, 2 1000Base-BX/KX ports• SLT3-PAY-2F Payload board, 2 PCIe x4 ports• SLT3-PAY-1D Payload board, PCIe x8 port <p>PCIe ports support up to Gen3 speeds depending on system capabilities</p>

Aitech Cyber Security

Intel & BIOS Security	<ul style="list-style-type: none">• Secure Boot based on Intel TXT, TPM 2.0• Trusted Platform with SmartFusion™ Security Manager	<ul style="list-style-type: none">• BIOS Modification Protection• Boot Guard
FPGA Security	<ul style="list-style-type: none">• Xilinx Device DNA• Bitstream Encryption	<ul style="list-style-type: none">• Bitstream Authentication• Readback/JTAG Disable• Readback CRC• Keyclear and IPROG
On-board SSD Security	<ul style="list-style-type: none">• Secure Erase• Quick Erase• Disk Data Encryption utilizing AES 256 keys (Self Encrypted Disk), TCG OPAL 2.0	
Anti-Tamper Protection	<ul style="list-style-type: none">• Battery backed tamper detection signal for system level protection• Tamper resistant FPGAs with bit stream authentication and read back limitation	

Note: For more information on AiSecure™, please see the Aitech Cybersecurity Whitepaper.

Memory Resources

RAM	Up to 32 GB of DDR4 SDRAM in dual channels with ECC operating at 2133 MT/s
SATA SSD	Up to 1 TB on-board SATA SSD, SLC & MLC Flash options with AES 256 Encryption, Quick Erase, and Secure Erase Standard options are listed in <i>Ordering Information</i> below (additional SLC & MLC options may be available per customer request, contact an Aitech representative for more info)
Boot Flash	Dual BIOS Flash devices (Primary device for normal board operation, Alternate device for board maintenance)

C878 | 3U VPX SBC

Intel® Xeon® D with Security & Zynq UltraScale+



Embedded Computing
without Compromise

I/O

USB 2.0		3
USB 3.0/2.0		1
SATA III		2
DVI Output		1
Ethernet	1000Base-T	2
	1000Base-BX/KX / 10GBase-KR ⁽¹⁾	2
PCIe	Gen3	16 Lanes (configurable as: One x16, Two x8, or Four x4 ports)
	Gen2	One x1 port
Serial Ports (RS-232/422/485)		2
Discrete I/O Lines (Single-Ended)		4 ⁽²⁾
Custom I/O from UltraScale+ FPGA ⁽³⁾	10G SerDes Interfaces	1

- Notes: (1) Port mode is software configurable
(2) Software configurable as 8 outputs, 8 inputs, or 4 outputs + 4 inputs
(3) Available only in boards equipped with the optional Xilinx UltraScale+ FPGA (see *Ordering Information* below)

Software

Operating Systems	Windows®, WindRiver VxWorks®, and Linux® are supported
Drivers	Operating system specific device drivers for board resources are available
BIT	Built-In Tests are available

Mechanical

	Form Factor & Dimensions	Pitch	Weight
Air-Cooled	3U VPX REDI per ANSI/VITA 48.1	1"	< 800g [1.77 lbs.]
Conduction-Cooled 2LM	3U VPX REDI 2LM (Two Level Maintenance) per ANSI/VITA 48.2	1"	< 800g [1.77 lbs.]

Power

CPU Option	+12V	+5V	+3.3V	+3.3V_AUX	±12V_AUX	Total ^{(1) (2)}	PassMark CPUMark
Pentium D-1519 (4 core)	1.7 A	0.2A	1.09 A	0.27 A	0 A	25.90W	3230
Xeon D-1559 (12 core)	4.0 A	0.2A	1.09 A	0.27 A	0 A	53.49W	10116
Xeon D-1577 (16 core)	4.1 A	0.2A	1.09 A	0.27 A	0 A	54.70W	10335

- Notes: (1) Power measured during PassMark CPUMark test at room temperature
C878 tested with 16 GB RAM, with on-board SATA SSD, without optional Xilinx UltraScale+ FPGA
(2) Power consumption is determined by CPU option, RAM capacity option, Xilinx UltraScale+ FPGA option, etc. and varies according to CPU load and utilization of CPU cores. Contact an Aitech representative for configuration specific power consumption.

C878 | 3U VPX SBC

Intel® Xeon® D with Security & Zynq UltraScale+



Embedded Computing
without Compromise

Environmental

Specs per VITA 47	Air-Cooled			Conduction-Cooled	
	Commercial	Rugged	Military	Rugged	Military
Operating Temp.	AC1 (0 to +55°C) ⁽²⁾	AC3 (-40 to +70°C) ⁽²⁾	AC4 (-40 to +85°C) ^(1,2)	CC3 (-40 to +70°C) ⁽³⁾	CC4 (-40 to +85°C) ^(1,3)
Non-Operating Temp.	C1 (-40 to +85°C)	C3 (-50 to +100°C)	C4 (-55 to +125°C)	C3 (-50 to +100°C)	C4 (-55 to +125°C)
Vibration	V1	V2	V2	V3	V3
Operating Shock	OS1	OS1	OS1	OS2	OS2
Altitude	15,000 ft.	35,000 ft.	70,000 ft.	35,000 ft.	70,000 ft.
Relative Humidity ⁽⁴⁾	0 - 90%	0 - 95% with Acrylic (Standard),			
Conformal Coating	N/A	0 - 100% with Urethane (Optional)			

Notes: (1) -55°C available, contact an Aitech representative for more information
(2) Operating ambient air temperature (with sufficient airflow)

(3) Operating card edge temperature
(4) Non-condensing

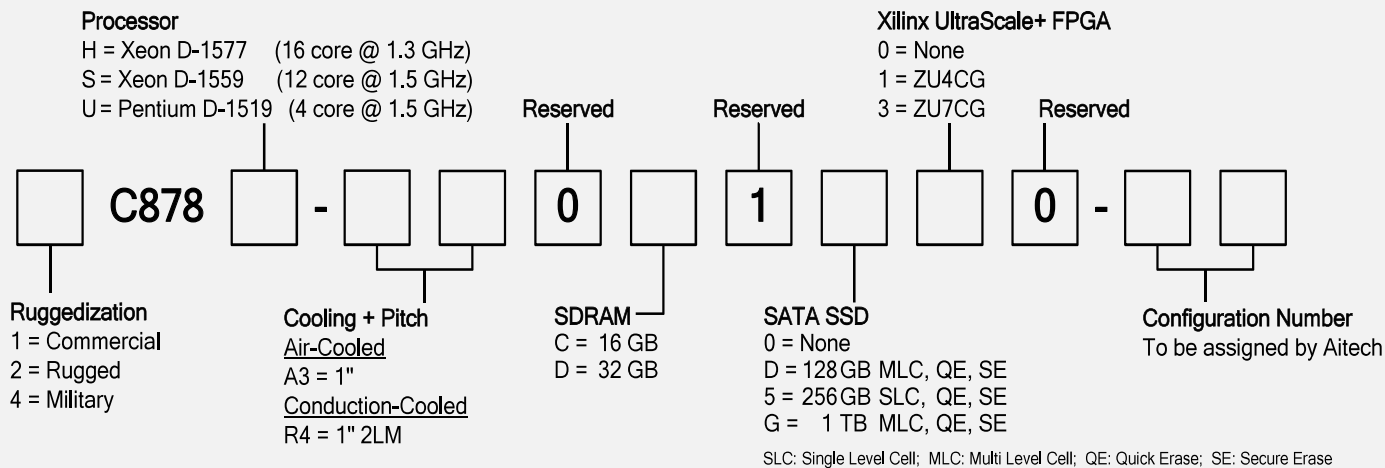
C878 | 3U VPX SBC

Intel® Xeon® D with Security & Zynq UltraScale+



Embedded Computing
without Compromise

Ordering Information



Example: 4C878S-R40D1530-00

Optional Accessories

TM878	Rear Transition Module (RTM) providing convenient access to C878 I/O interfaces via standard connectors. Supports both air and conduction-cooled C878 when installed in a compatible system. See the TM878 datasheet for more information.
CM870	3U VPX PMC/XMC carrier board. Using one or more CM870s, system functionality can be significantly expanded, enabling the C878 to control PMCs/XMCs over the VPX backplane. See the CM870 datasheet for more information.

Contact Aitech

Contact your Aitech sales representative for additional product information, and for inquiries regarding customized configurations of the C878 and additional software support.

<p>Aitech Defense Systems, Inc. Chatsworth, CA, USA Toll Free: (888) Aitech-8 [248-3248] Direct: +1 (818) 700-2000 Fax: +1 (818) 407-1502 Email: sales@aitechsystems.com</p>	<p>Aitech Systems, Ltd. Herzliya, Israel Tel: +972 (9) 960-0600 Fax: +972 (9) 954-4315 Email: sales@aitechsystems.com</p>	<p>Aitech Innovations India PVT. Ltd. Bangalore, India Tel: +91 (80)4866-8105 Fax: +91 (80) 4866-8106 Email: sales@aitechsystems.com</p>
--	--	---

www.aitechsystems.com