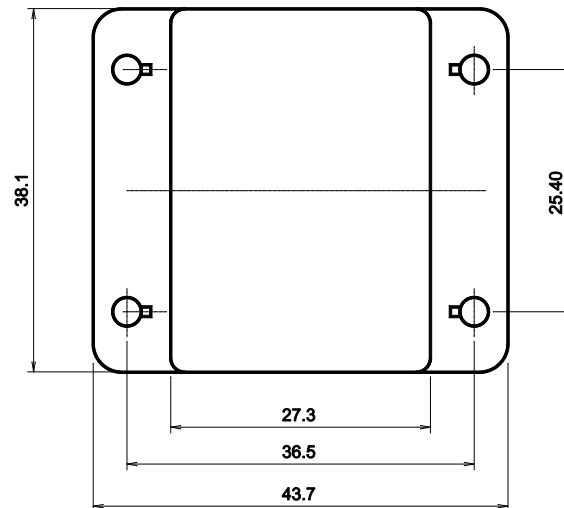


Applicable relays:
SERIES F600 (DC Coil),
F601 (AC Coil)



GENERAL CHARACTERISTICS CARACTERISTIQUES GENERALES

Crimp tool #22 <i>Pince à sertir #22</i>	M 22520/1-01 with turret M 22520/1-02 or 7-03
Insertion and extraction tool #12 <i>Outil d'insertion et d'extraction #12</i>	M 81969/14-03
Crimp tool #16 <i>Pince à sertir #16</i>	M 22520/1-01 with turret M 22520/1-02 or MS 3191-1
Insertion and extraction tool #16 <i>Outil d'insertion et d'extraction #16</i>	M 81969/14-03
Weight <i>Poids</i>	65g max
Temperature range <i>Température d'utilisation</i>	-70° C to +125° C

LEACH INTERNATIONAL EUROPE S.A.S.

Tel: +33 3 87 97 98 97

Fax: +33 3 87 97 96 86

LEACH INTERNATIONAL ASIA PACIFIC

Tel: +852 2 191 3830

Fax: +852 2 389 5803

The technical information provided by Leach International Europe is to be used as a guide only, and is not meant for publication or as documentation for altering any existing specification. Dimensions are in millimeters unless otherwise specified. Rev. 06/2019.

S600, S601

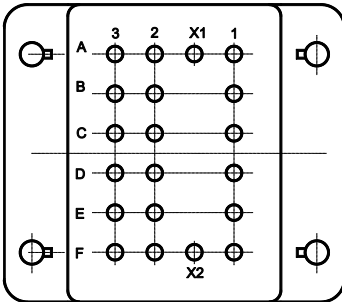
RELAY SOCKET CRIMP CONTACTS, 10 AMPS
SOCLE A SERTIR POUR RELAIS, 10 A

Dimensions in mm
Tolerances, unless otherwise specified, $\pm 0.25\text{mm}$

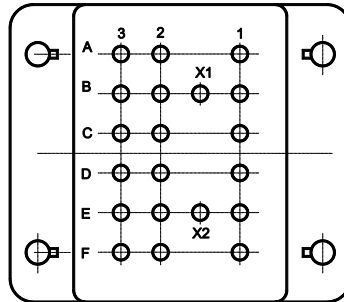
TERMINAL LAYOUT

TYPE DE SORTIE

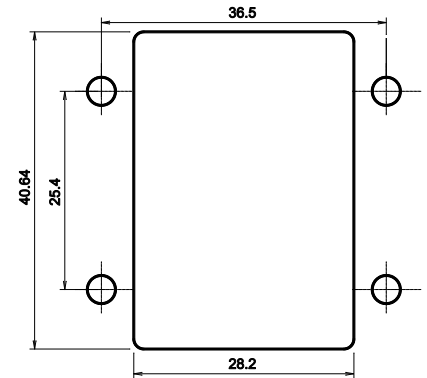
CODE A S600



CODE B S601



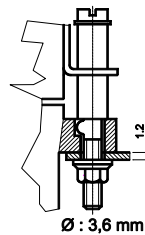
MOUNTING HOLE LAYOUT
DECOUPE DE LA STRUCTURE



MOUNTING HARDWARE

TYPE DE VISSERIE

CODE 7 : 05 284 15
LOOSE METRIC M3 HARDWARE
TOP MOUNT

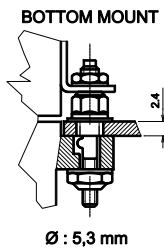


$\varnothing : 3,6 \text{ mm}$

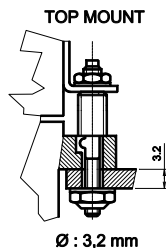
FOR RELAYS WITH CAPTIVE SCREWS (CODE B)

MOUNTING TORQUE : $0,45 \pm 0,1 \text{ Nm}$
COUPLE DE SERRAGE

CODE 8 : 05 284 20
LOOSE UNC STUDS MIL-S-12883/41 - EDIT C



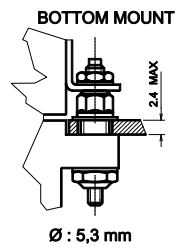
$\varnothing : 5,3 \text{ mm}$



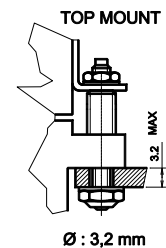
$\varnothing : 3,2 \text{ mm}$

MOUNTING TORQUE / COUPLE DE SERRAGE
NUT 4/40 : $0,45 \pm 0,1 \text{ Nm}$
NUT 10-32 : $1,2 \text{ Nm MAX}$

CODE 9 : 05 284 21
FIXED UNC STUDS PER MIL-S-12883/41 - EDIT C



$\varnothing : 5,3 \text{ mm}$



$\varnothing : 3,2 \text{ mm}$

MOUNTING TORQUE / COUPLE DE SERRAGE
NUT 4/40 : $0,45 \pm 0,1 \text{ Nm}$
NUT 10-32 : 2 Nm MAX

WIRE INSULATION DIAMETER FOR SEAL TO GROMMET JOINT D'ETANCHEITE

CODE A
<p>Recommended for contact code 8 Dia: 1.65.....2.76mm</p>

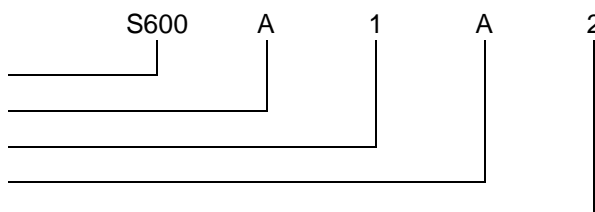
CONTACT SIZE AND STYLE TAILLE ET STYLE DE CONTACTS

CODE 0	CODE 8
<p>Without contacts <i>Contacts non fournis</i></p>	<p>LEACH reference : 05 910 00 Crimp end to accomodate: AWG 16-18-20 Contact mating end: AWG: 16</p>

SOCKET NUMBERING SYSTEM SYSTEME DE REFERENCES

Basic series designation | Référence de base

1. Terminal layout | Type de sorties
2. Mounting hardware | Type de visserie
3. Grommet to seal on wire insulation | Joint d'étanchéité
4. Contact size and style | Taille et style de contact



Exemple : S600-A1A2

MS/LEACH CROSS PART NO, AND MATING RELAYS SYSTEME DE REFERENCES

MS - Number	S600/S301 REFERENCE
M12883/47-001	S600-A8A8
M12883/47-002	S601-B8A8
M12883/47-004	S600-A9A8
M12883/47-005	S601-B9A8