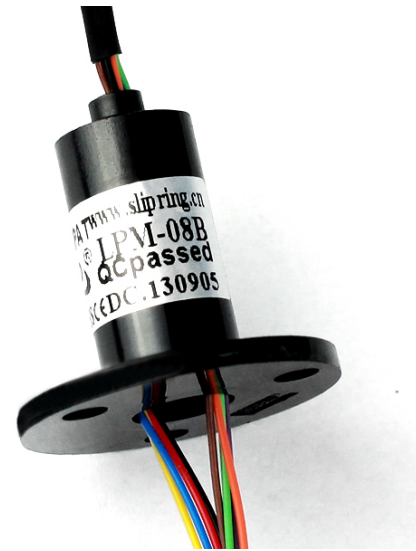


Miniature Capsule Slip Ring LPM-08B

It is also called a rotary electrical interface, commutator, collector, swivel or an electrical rotary joint. It can improve electromechanical capability, simplify system design, eliminate possible damage while rotation.

The LPM-08B miniature slip ring is a standard, off-the-shelf unit that uses gold contacts at the rotary interface. Color-coded lead wires are used on both the stator and rotor for simplifying electrical connections. The LPM-08B allows tremendous flexibility in dealing with system size restrictions. It is available in 1- 8 circuit configurations.



Specifications

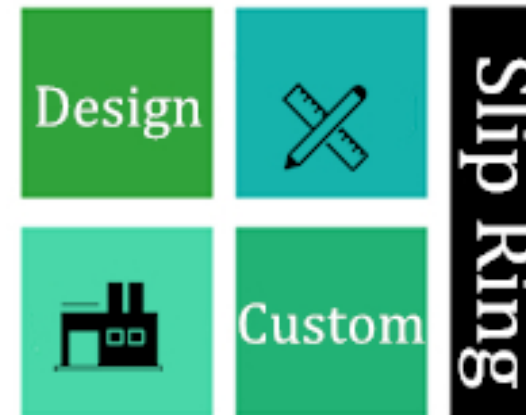
Operating Speed	0-300 rpm
Number of Circuits	8
Voltage	240 VAC/DC
Current Rating	2 amps per circuit
Temperature Range	-20°C to +60°C
Contact Material	Gold to Gold
Lead Size	30# silver plated copper
Lead Length	Standard 250 mm (9.843inch)
Dielectric Strength	≥500 VAC @50Hz, between each circuit
Insulation Resistance	100 MΩ @ 500 VDC
Electrical Noise	1mΩ Min

Capsule Length

# of Circuits	L (mm)	Part No
8	18.4	LPM-08B

- ◆ The operating life of the unit depends upon temperature, rotation speed and environment.
- ◆ The operating life ≥50,000,000 runs ref.

Features



- ✓ 8 circuits models
- ✓ 2 amps per circuit ,240VAC/DC
- ✓ Precision assembly to provide exceptional rotational life
- ✓ Speed up to 300 rpm continuous
- ✓ Gold-Gold contacts
- ✓ Flexible, color-coded, silver-plated, lead wires
- ✓ Superior handling of low level control signals
- ✓ Metal housing optional



TEMPE
-20° C to 60° C



MAXIMUM OPERATING SPEED
0-300 RPM

Applications

- ✓ Electrical test equipment
- ✓ Manufacturing and process control equipment
- ✓ Indexing tables
- ✓ CCTV pan / tilt camera mounts
- ✓ Robotics, rotary sensors, urgent illumination equipmen
- ✓ Exhibit / display equipment/Closed-circuit control
- ✓ Aviation ,military ,instrument, medical equipment.
- ✓ Min-type wire-rolling machine / Wind turbine generator

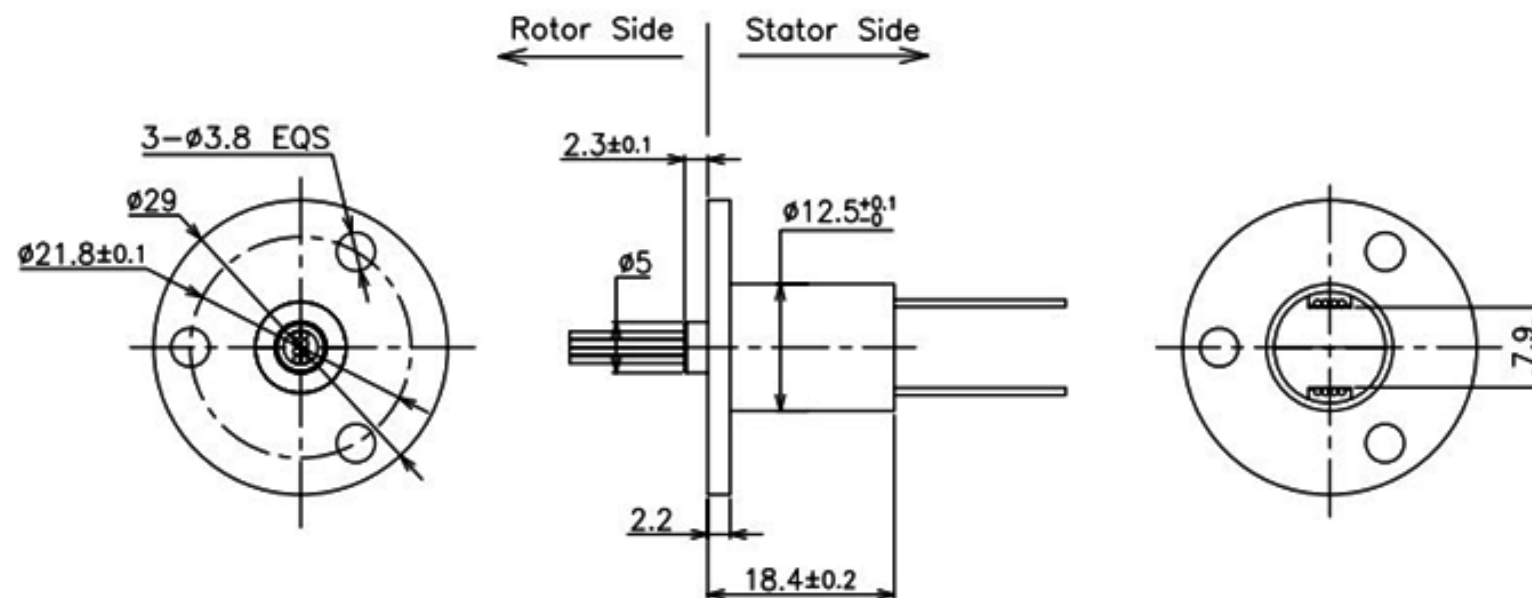


Advantage



- ✓ Low torque minimize system torque budget
- ✓ Compact design to fit in the most demanding space.
- ✓ Smooth running
- ✓ Low electrical noise
- ✓ Quick shipment per your urgent requirement
- ✓ 360 continuous rotation
- ✓ High bandwidth transfer capability
- ✓ Addition of special components
- ✓ Quick shipment

Drawings



MESSAGE

Any questions about slip ring, please leave your message to get a professional solution

PRODUCT CATEGORY

FORJ
 Capsule slip ring
 Through bore slip ring
 Pancake slip ring
 Mercury slip ring
 Separate slip ring
 Miniature slip ring
 Wind turbine slip ring
 Hydraulic slip ring
 Pneumatic slip ring
 Coaxial rotary joints

REQUESTS

Circuits
 Current&voltage
 Signal details
 Dimension
 Working speed
 Working temperature
 Operating
 Environment
 Other

INDUSTRIES

Surveillance
 Crane
 Medical
 Marine
 Defence
 Radar antenna
 Automation
 Meter and instrument
 Wind turbine generator
 VR Device
 Other

Wire Color Code								
Wire Size	Ring #	Color	Ring #	Color	Ring #	Color	Ring #	Color
AWG17# silver plated copper Teflon UL	#1	BLK	#2	BRN	#3	RED	#4	ORG
	#5	YEL	#6	GRN	#7	BLK-BLU	#8	PUR
	#9	GRAY	#10	WIT	#11	PINK	#12	AZURY
	#13	WIT/BLK	#14	WIT/BRN	#15	WIT/RED	#16	WIT/ORG
	#17	WIT/YET	#18	WIT/GRN	#19	WIT/BLU	#20	WIT/PUR
	#21	WIT/GRAY	#22	CLAR	#23	BLK-RED	#24	BLK/BRN

Remarks: 1. AWG28# silver plated copper Teflon UL, 24 different color single wires for a circle

2. #1 from rotor side (The color if the wire can be changed).

Contact us on wire color codes



Send