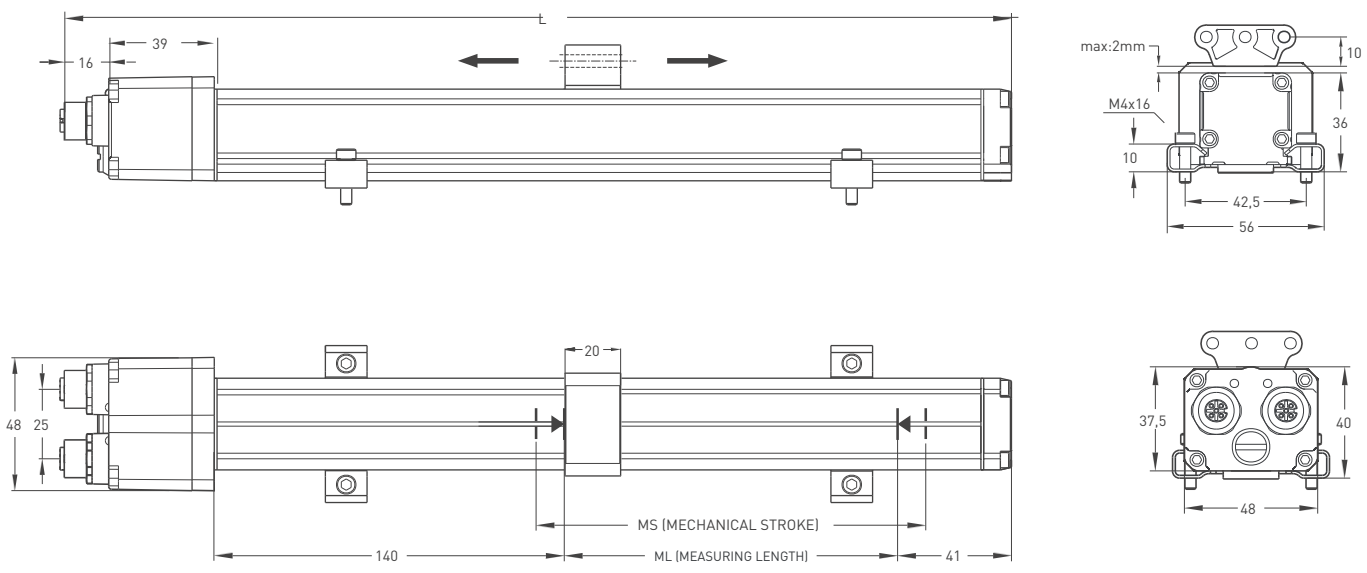




- Measuring length 100 - 5000 mm
- Modbus protocol
- 24 VDC power supply

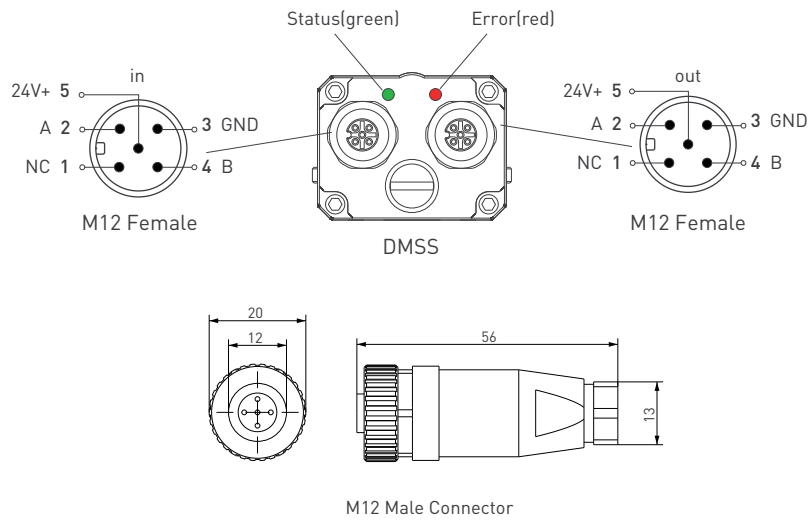
Technical Specifications	
Measurement stroke	100 - 5000 mm
Resolution	25µm (100mm-400mm), 50µm (450mm-3000mm), 100µm (4000mm-5000mm)
Repeatability	100 µm
Output	Modbus
Power supply	24 VDC ±10%
Displacement speed	max. < 5 m/s
Max. consumption	100 mA (depending on stroke length)
Linearity	±0,05% full scale (min.100 µm)
Reverse polarity protection	Up to -30 VDC
Overvoltage protection	Up to +30 VDC
Update time	10 ms (at 115200 bit/s)
Interface	RS422 / RS485 Modbus
Baud rate	Max. 115200 bit/s
Diagnostic LEDs	Green led : Power on, BUS communication active Red led : Error, Stop mode
Protection level	IP 65
Operating temperature	-10°C ... +70°C
Storage temperature	-30°C ... +90°C

**Mechanical Specifications**

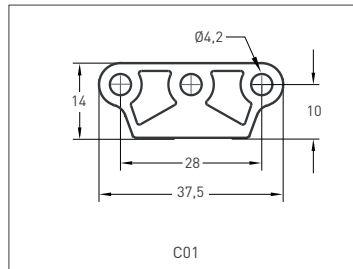


DMSS [mm]	100	150	200	250	300	350	400	450	500	550	600	650	700	750	800	850	900	1000	1100	1200	1300	1400	1500	1750	2000	2250	2500	3000	4000	5000
ML [Measuring Length]	100	150	200	250	300	350	400	450	500	550	600	650	700	750	800	850	900	1000	1100	1200	1300	1400	1500	1750	2000	2250	2500	3000	4000	5000
MS [Mechanical Stroke]	198	248	298	348	398	448	498	548	598	648	698	748	798	848	898	948	998	1098	1198	1298	1398	1498	1598	1848	2211	2461	2711	3211	4211	5211
L [Total Length]	348	398	448	498	548	598	648	698	748	798	848	898	948	998	1048	1098	1148	1248	1348	1448	1548	1648	1748	1998	2311	2561	2811	3311	4311	5311
Dead Zone Calculation	140/41																													

## Connection



## Cursor



## Ordering Procedure

Model	Measurement stroke	Protocol	Baud rate	Termination	Cursor	Connecting brackets	Dead zone
DMSS	150	MDB	04	1S0	C01	BR02	140/41
DMSS	100 - 5000 mm	MDB:Modbus	01:9600 bits/s 02:19200 bits/s 03:38400 bits/s 04:57600 bits/s 05:115200 bits/s	1S0: off 1S1: on	1C01: 1 cursor 2C01: 2 cursors	BR01 BR02	≤ 2000 mm 140/41 > 2000-3000 mm 215/41 > 3000-4000 mm 235/41 > 4000-5000 mm 255/41