

MRPF 28

Rotary, Non-Contact, Magnetic Analog Output, Absolute Sensor



ANALOG 0-10 V

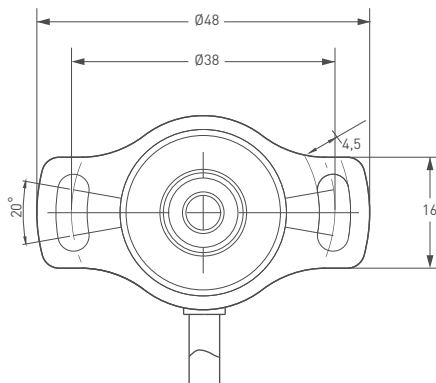
- 28 mm case diameter
- Industrial voltage output
- IP 54 protection level



Technical Specifications

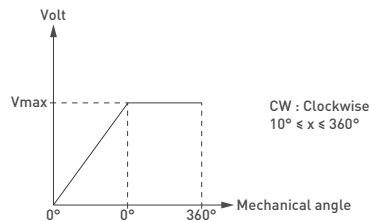
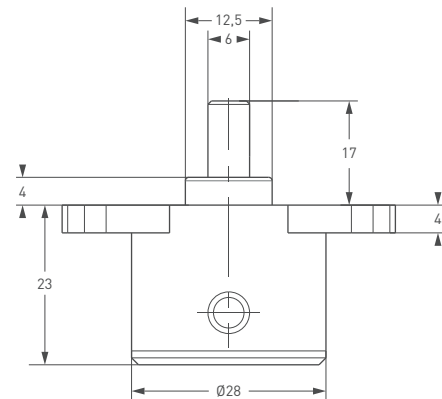
Measurement type	Non-contact magnetic absolute encoder
Resolution	max. 12 bit
Linearity	$\leq \pm 0,5\%$ FS
Measurement angle	Up to 0...360° (with 5° steps)
Output signal	Analog (voltage)
Output type	Voltage output : 0-5 VDC or 0-10 VDC
Power supply	8-24 VDC (0-5 VDC) 15-24 VDC (0-10 VDC)
Power consumption (without load)	< 40 mA (@24 VDC)
Reverse polarity protection	Up to +30 VDC
Cable	1 m cable (standard)
Displacement speed	1000 rpm
Rod diameter	Ø6 mm
Rod material	Stainless steel
Case diameter	Ø28 mm
Case material	Plastic
Protection level	IP 54
Operating temperature	-20°C ... +80°C
Storage temperature	-30°C ... +90°C

Mechanical Specifications



Voltage Output

- +V : Brown
- 0V : White
- Vout : Yellow
- GND : Shield



Ordering Procedure

Model	Case diameter	Rod diameter	Measuring angle	Rotation	Power supply	Cable	Cable output
MRPF	28	R6	0-10 V/45°	CW	V2	1M	R
MRPF	28	R6: 6 mm	V10/5° V5/5° · · · · V10/360° V5/360°	CW: clockwise CCW: counter clockwise	V2: 8-24 VDC V3: 15-24 VDC	1M: 1 meter cable	R: Radial