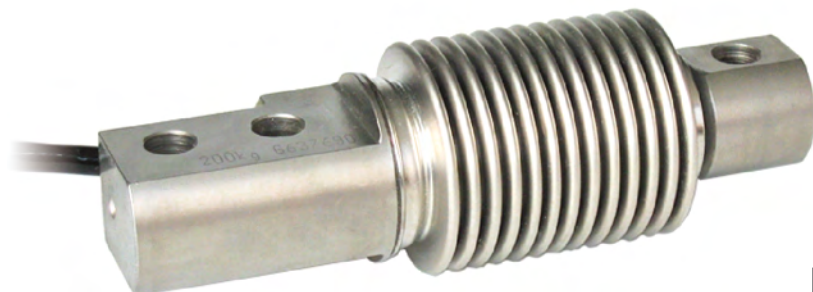
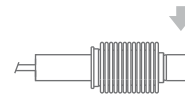




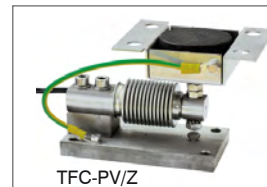
Capacity from 20 kg to 500 kg



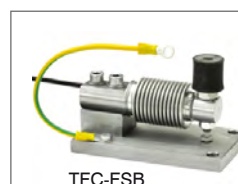
- 17-4 PH STAINLESS STEEL
- COMBINED ERROR  $\leq \pm 0.02\%$  (0.017% C4)
- PROTECTION CLASS IP68



MOUNTING KITS



TFC-PV/Z



TFC-FSB



TFC-GP

CAPACITY	kg	ACCURACY CLASS		OIML	IECEx	Ex	EAC	NTEP	NET WEIGHT OF LOAD CELL (kg)	CODE
		C3	C4							
20		C3	C4			•	•	—	0.4	FCOL20
50		C3	C4			•	•	•	0.4	FCOL50
100		C3	C4			•	•	•	0.4	FCOL100
200		C3	C4			•	•	•	0.4	FCOL200
350		C3	C4			•	•	•	0.4	FCOL350
500		C3	C4			•	•	•	0.4	FCOL500

ON REQUEST

### CERTIFICATIONS

OIML R60 C3

#### CERTIFICATIONS ON REQUEST

ATEX II 1GD (zone 0-1-2-20-21-22)

IECEx II 1GD (zone 0-1-2-20-21-22)

OIML R60 C4

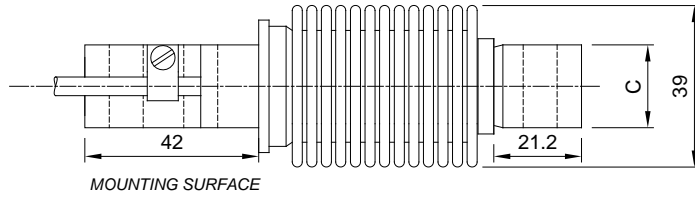
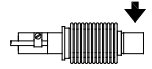
Complies with the Eurasian Custom Union regulations (Russia, Belarus, Kazakhstan)

NTEP - compliant to the metrological standards of United States and Canada (capacity from 50 to 500 kg)

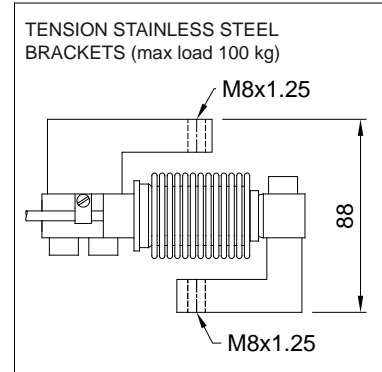
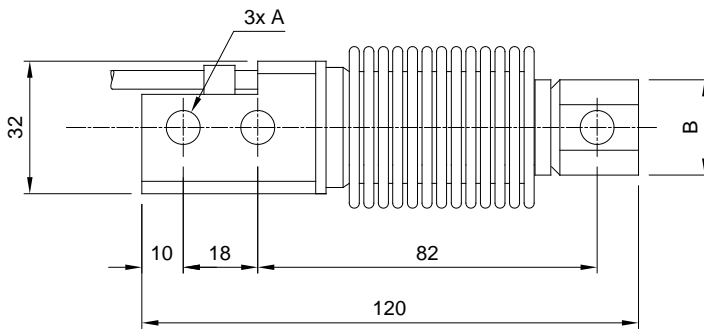
### COMPLEMENTARY ACCESSORIES

DESCRIPTION	CODE
<p>Pair of tension stainless steel brackets. Maximum static load: 100 kg</p>	STAFFEFC

### DIMENSIONS (mm)



	A	B	C
20-200kg	Ø8.2	23	20
350-500kg	Ø10.3	24	19



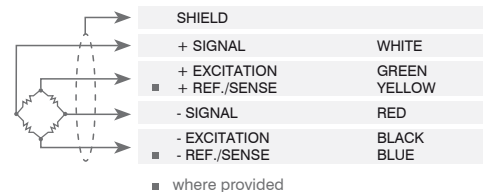
### TECHNICAL FEATURES

Material	17-4 PH stainless steel		
OIML R60 Accuracy class • Verification intervals	C3 • 3000		C4 • 4000
Nominal load (E max)	20 - 50 - 100 - 200 - 350 - 500 kg		
Minimum verification interval (V min)	E max / 10000		E max / 15000
Combined error	≤ ±0.02%		≤ ±0.017%
Protection class	IP68		
Rated output	2 mV/V ± 1% *	Input resistance	460 Ω ± 50
Temperature effect on zero	0.002% °C	Output resistance	350 Ω ± 3.5
Temperature effect on span	0.0014% °C	Zero balance	≤ ±1%
Compensated temperature range	-10 °C / +40 °C	Insulation resistance	≥ 5000 MΩ
Operating temperature range	-35 °C / +65 °C	Safe overload (% of full scale)	150%
Creep at nominal load in 30 minutes	0.02%	Ultimate overload (% of full scale)	300%
Max supply voltage without damage	18 V	Deflection at nominal load	0.4 mm

\* Calibrated current output

### ELECTRICAL CONNECTIONS

Cable length	3 m
Cable diameter	5 mm
Cores	4/6 x 0.22 mm <sup>2</sup>



The Company reserves the right to make changes to the technical data, drawings and images without notice.