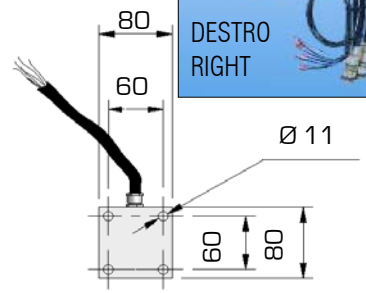
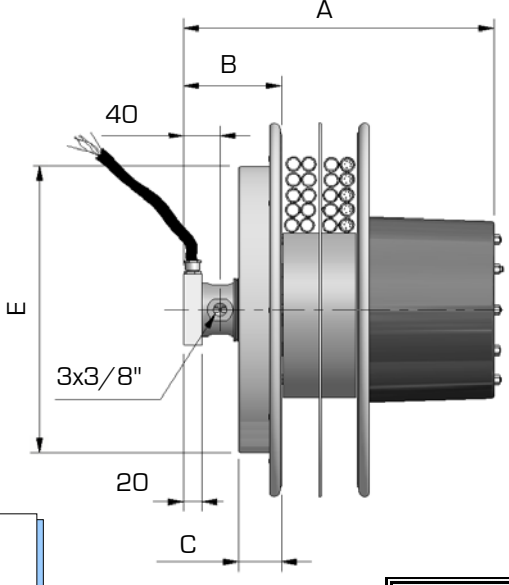
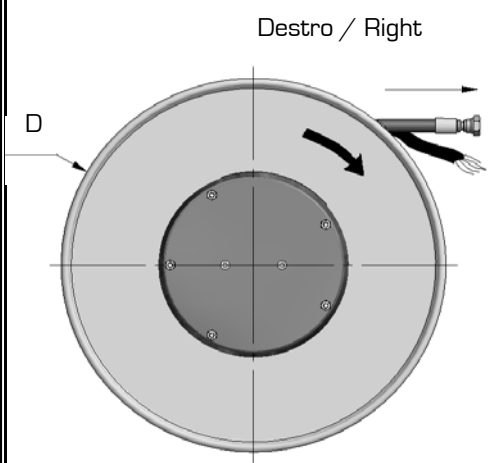
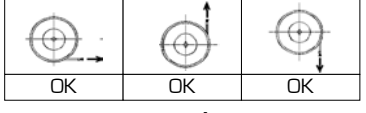


141.1

MAX 40 l/min  
W.P. 300 bar  
75V 5A



A3D 400 = MODELLO DESTRO / RIGHT MODEL  
A3S 400 = MODELLO SINISTRO / LEFT MODEL  
Es. ORD: A3D 400.10.R7/E4

Modello destro	Cavi Wires N°	A	B	C	D	E	CON TUBO - WITH HOSE				
							1/4" - R7	5/16" - R7	3/8" - R7	3/8" - R8	1/2" - B1
							Y=06	Y=08	Y=10	Y=10	Y=12
Right model		mm					X=R7	X=R7	X=R7	X=R8	X=B1
		m									
A3D295.Y.X/E2	2				295		3,0	2,3	2,3	2,3	1,5
A3D295.Y.X/E3	3										
A3D295.Y.X/E4	4										
A3D295.Y.X/E6	6										
A3D295.Y.X/E8	8										
A3D295.Y.X/E12	12										
A3D320.Y.X/E2	2				325		4,0	3,2	3,3	3,3	2,5
A3D320.Y.X/E3	3										
A3D320.Y.X/E4	4										
A3D320.Y.X/E6	6										
A3D320.Y.X/E8	8										
A3D320.Y.X/E12	12										
A3D340.Y.X/E2	2				340		5,0	4,2	4,0	4,0	2,5
A3D340.Y.X/E3	3										
A3D340.Y.X/E4	4										
A3D340.Y.X/E6	6										
A3D340.Y.X/E8	8										
A3D340.Y.X/E12	12										
A3D370.Y.X/E2	2				370		6,0	5,3	4,5	4,5	3,5
A3D370.Y.X/E3	3										
A3D370.Y.X/E4	4										
A3D370.Y.X/E6	6										
A3D370.Y.X/E8	8										
A3D370.Y.X/E12	12										
A3D400.Y.X/E2	2				400		7,3	6,5	5,6	5,6	4,5
A3D400.Y.X/E3	3										
A3D400.Y.X/E4	4										
A3D400.Y.X/E6	6										
A3D400.Y.X/E8	8										
A3D400.Y.X/E12	12										
A3D420.Y.X/E2	2				420		8,6	8,0	6,7	6,7	4,7
A3D420.Y.X/E3	3										
A3D420.Y.X/E4	4										
A3D420.Y.X/E6	6										
A3D420.Y.X/E8	8										
A3D420.Y.X/E12	12										
A3D470.Y.X/E2	2				478		11,5	10,0	9,5	9,5	7,5
A3D470.Y.X/E3	3										
A3D470.Y.X/E4	4										
A3D470.Y.X/E6	6										
A3D470.Y.X/E8	8										
A3D470.Y.X/E12	12										