



Application Notes:

101
102
104
007

- **Balanced-Force Design**

- **Hermetically sealed**

- **Designed to the performance standards of MIL-PRF-6106**

PRINCIPLE TECHNICAL CHARACTERISTICS

- **Contacts rated at** 28 Vdc and 115 Vac, and 115/200 Vac, 400Hz, 3Ø

- **Weight** 1.70 lb. max

- **Special units available upon request, including models with auxiliary contacts.**

CONTACT ELECTRICAL CHARACTERISTICS

Contact rating per pole and load type	Load current in Amps				
	28 Vdc	115 Vac 400 Hz	115/200 Vac 400 Hz, 3Ø	28 Vdc [3]	115 Vac 400 Hz [3]
Resistive	50	90	90	120	120
Inductive [2]	30	90	90	80	120
Motor	30	80	80	80	80

COIL CHARACTERISTICS (Vdc)

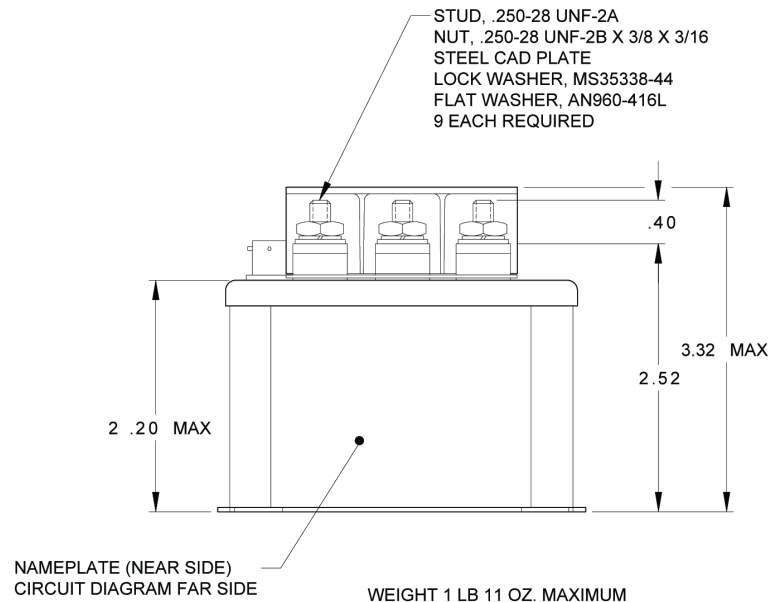
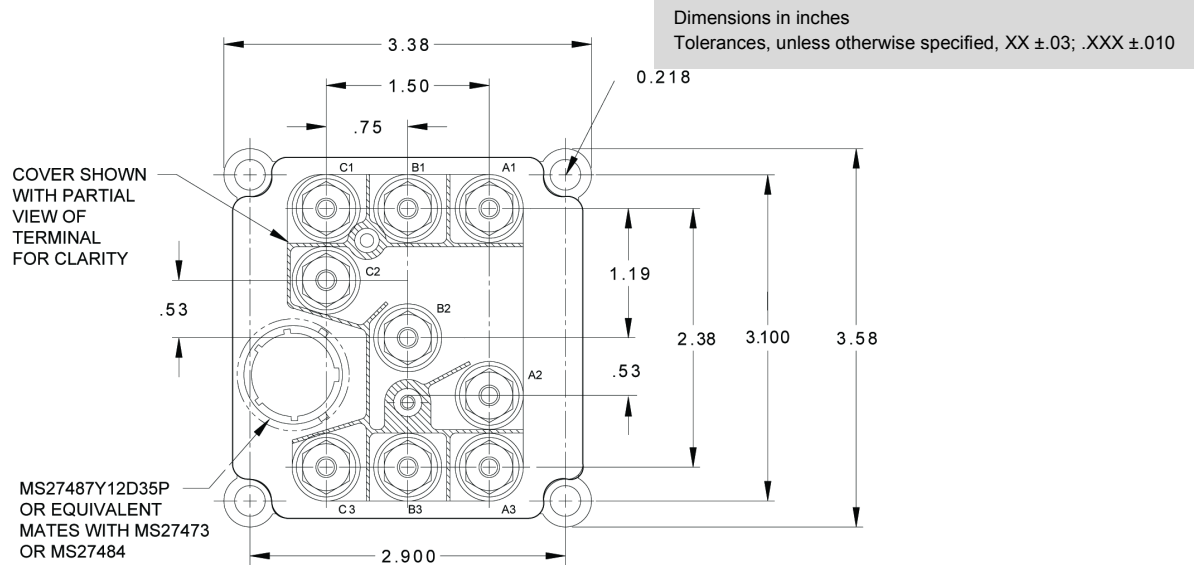
CODE	A Vdc	N [5] Vdc
Nominal operating voltage	28	28
Maximum operating voltage	29	29
Pick-up voltage, maximum		
Nominal	18	18
High temp test	20	20
Continuous current test	22.5	22.5
Drop-out voltage, maximum	7	7
Coil resistance in Ohms $\pm 10\%$ at $+25^\circ\text{C}$	65	65
Coil current Amp max. @ nom. Volt. and $+25^\circ\text{C}$	0.475	0.475

GENERAL CHARACTERISTICS

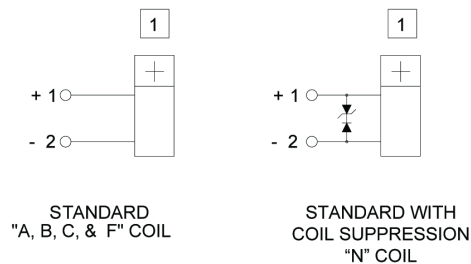
Temperature range	-55°C to +71°C
Minimum operating cycles (life) at rated resistive load	50,000
Minimum operating cycles (life) at 25% rated resistive load	100,000
Dielectric strength at sea level	
All circuits to ground and circuit to circuit	1,500 Vrms
Coil to ground and aux. contacts	1,000 Vrms
Dielectric strength at altitude	
Main contacts	700 Vrms
Coil and aux. contacts	500 Vrms
Insulation resistance	
Initial (500 Vdc)	100 M Ω min
After environmental tests	50 M Ω min
Sinusoidal vibration	10 G / 55 to 1,000 Hz
Shock (10-12 ms duration)	15 G
Maximum contact opening time under vibration and shock	10 μs
Operate time at nominal voltage (Including bounce)	40 ms max
Release time at nominal voltage (Including bounce)	
- DC	40 ms max
- AC	100 ms max
Contact bounce at nominal voltage	4 ms max
Weight	Noted
Overload at 115/200 Vac, 400 Hz	630 Amps
Rupture at 115/200 Vac, 400 Hz	900 Amps
Altitude	50,000 Feet

CONFIGURATION STYLES

MOUNTING STYLE A



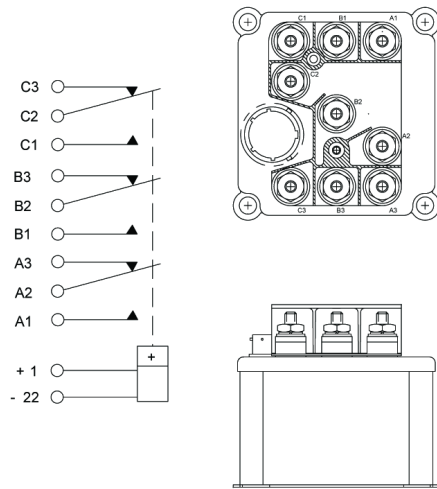
COIL CIRCUIT CONFIGURATION



TERMINAL CONFIGURATION AND CIRCUIT DIAGRAMS

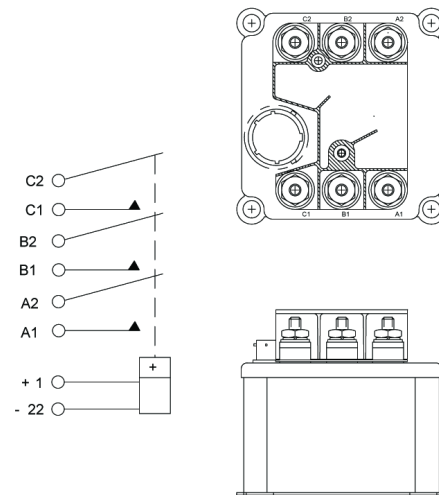
TERMINAL TYPE 1

3 PDT



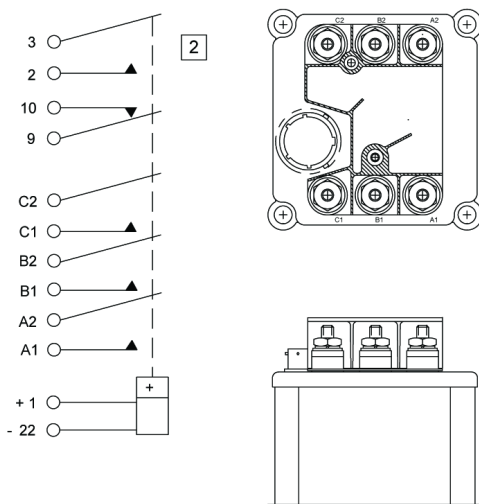
TERMINAL TYPE 2

3PST-N.O.



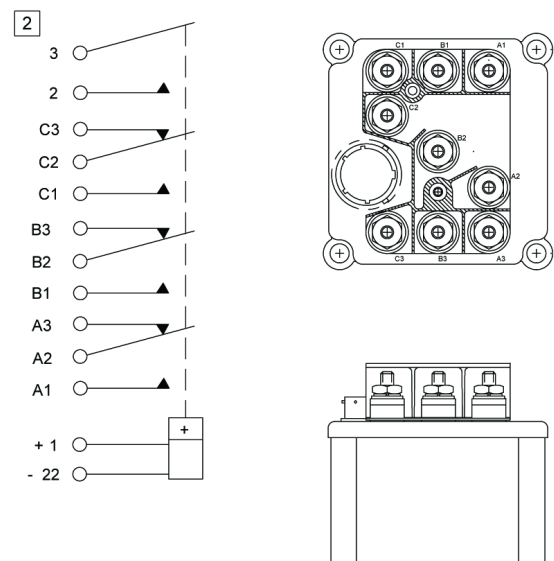
TERMINAL TYPE 3

3 PST-N.O. WITH
SPST-N.O. & SPST-N.C.
AUXILIARY CONTACTS



TERMINAL TYPE 4

3 PDT WITH SPST-N.O.
AUXILIARY CONTACTS

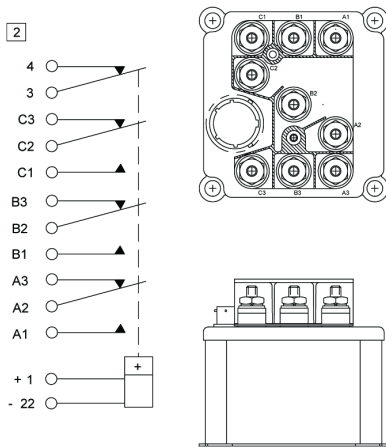


NOTE: Although all configuration and/or terminal type options are available, some combinations may require a setup charge and be subject to minimum order size

TERMINAL CONFIGURATION AND CIRCUIT DIAGRAMS

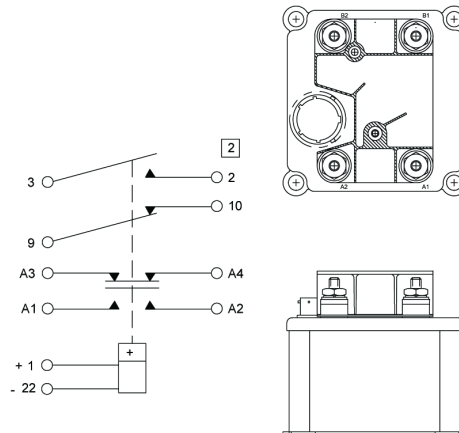
TERMINAL TYPE 5

3 PDT WITH SPST-N.C.
AUXILIARY CONTACTS



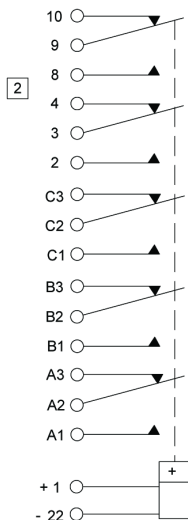
TERMINAL TYPE 6

SPDT-DOUBLE BREAK/MAKE
WITH SPDT-N.O. & SPST-N.C.
AUXILIARY CONTACTS



TERMINAL TYPE 7

3 PDT WITH 2 PDT
AUXILIARY CONTACTS



TERMINAL TYPE 9

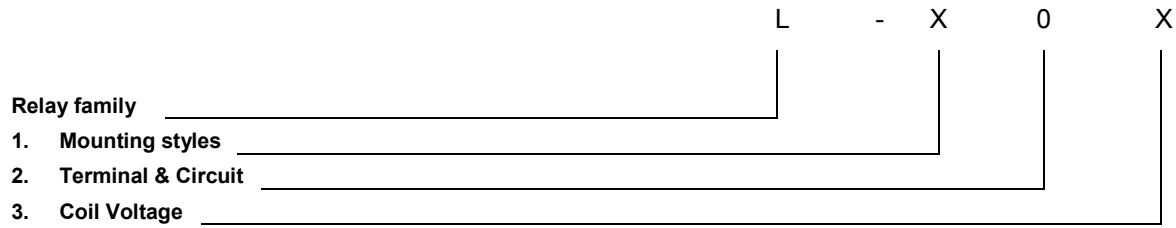
IS A GENERAL CATEGORY USED FOR ALL TERMINAL
TYPES NOT ILLUSTRATED. FOR OTHER VARIATIONS OF
TERMINAL CONFIGURATIONS - PLEASE CONTACT FACTORY

NOTES:

- 1 POLARITY INDICATION APPLIES TO D.C. COILS ONLY.
- 2 AUXILIARY CONTACT RATING 28 VDC OR 115 VAC
RESISTIVE: 5 AMP
INDUCTIVE: 3 AMP
LAMP: 1 AMP
BOUNCE AT NOMINAL VOLTAGE: .004 SEC MAX

NOTE: Although all configuration and/or terminal type options are available, some combinations may require a setup charge and be subject to minimum order size

NUMBERING SYSTEM



NOTES

1. Auxiliary contact rating- see page 5, note [1].
2. Inductive load life, 20,000 cycles.
3. Ratings are for double break/make terminal type 6.
4. Alternate contact configurations and other special models available upon request. Please contact factory.
5. Suppressed "N" coil has back EMF suppression to 62 Volts max.
6. This series drawing is for general use only. Please consult factory for special requirements.

For any inquiries, please contact your local sales representative: leachcorp.com