

Key Features

| | |
|---------------------------------|---|
| EPIC® Seal | Ceramic to metal braze. Gas filled hermetic chamber protects key components. Exceeds IP69K standard |
| Temperature | Tested to temperatures up to 200°C |
| Contacts / Form | Silver / SPST / NO |
| Coil | Efficient two coil design with no PWM or EMI emissions. Coil suppression built in |
| High Shock and Vibration | For rugged environments, off-road and tracked vehicles |
| Installation | Not direction sensitive |
| Reference | MIL-R-6106, RoHS |

Power Terminals
Stainless M8 X 1.25 Stud
Stainless M8 X 1.25 Flanged Nut

Torque 9-10 Nm [80-90 in-lb]

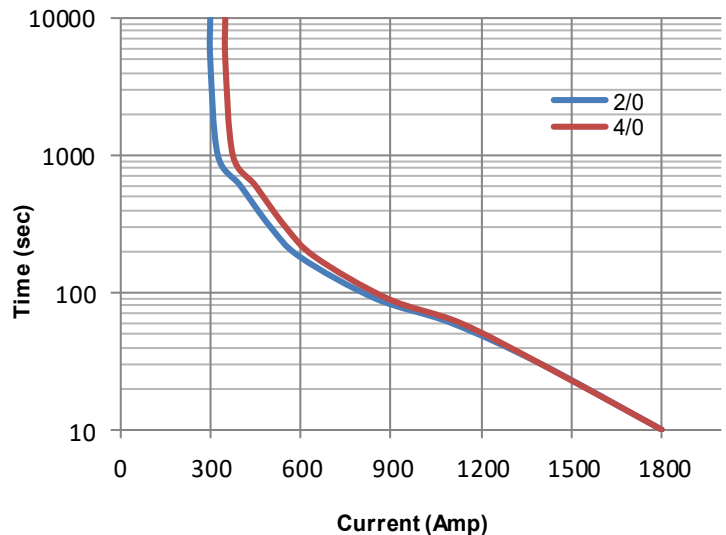
Coil Wire
Silicone, 20 AWG, UL: VW-1

Mounting Hardware
M5 [No. 10] Bolts (not incl.)

Torque 2-4 Nm [18-35 in-lb]

Case Material
25% GF Nylon 6/6, UL 94 V-O

Current Carry vs Time
with 85°C terminal temperature rise



| Technical Specification | |
|-----------------------------|--|
| Continuous Current | 300A w/ 2/0 cable (see graph on reverse) |
| Max Current—1 sec | 3000A |
| Max Current—10 sec | 1800A |
| Max Current—90 sec | 850A |
| Contact Voltage Drop (max) | 150mV at 300A |
| Insulation Resistance (min) | 100MΩ (50MΩ after life) |
| Dielectric Withstanding | 1500VRMS (1050 VRMS after life) |
| Operate Time (max) | 20 msec (include bounce) |
| Release Time (max) | 12 msec |
| Weight | 1.0 lb with hardware (460 grams) |

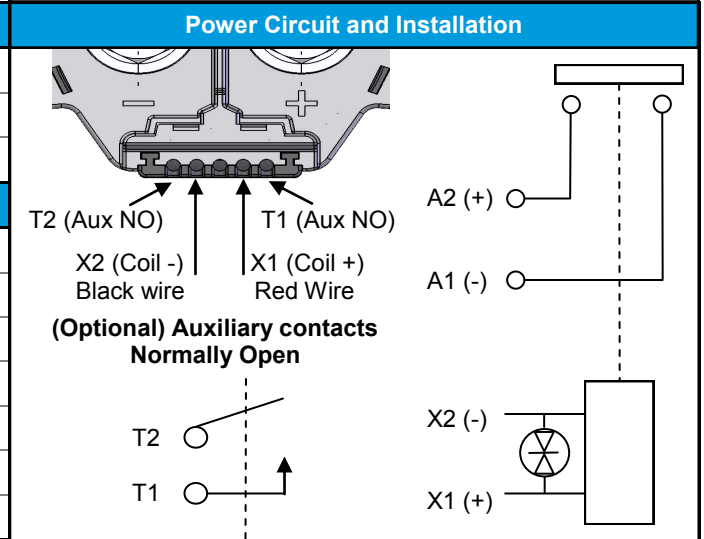
MX23

Coil Voltage:
B = 12V
C = 24V
F = 48V

Auxiliary Contacts:
Blank = none
B = SPST, Normally Open

Coil Wire:
A = 38 cm (15 in)
B = 61 cm (24 in)
C = 122 cm (48 in)

| Resistive Load Switching | |
|--------------------------|----------------|
| 300A at 24 VDC | 100,000 cycles |
| Mechanical Life | 300,000 cycles |
| Fault Interrupt @ 28VDC | 3000A |

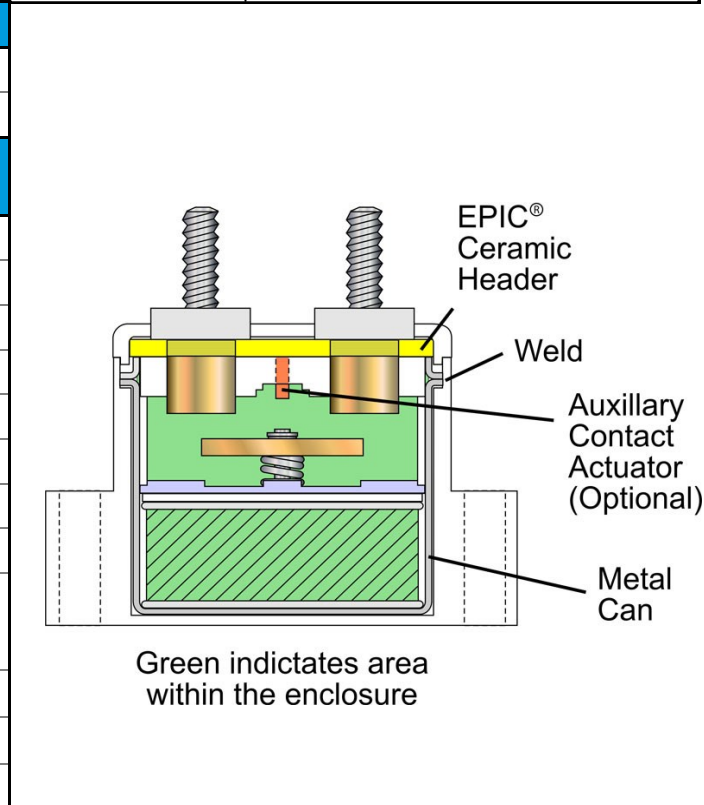


| Environmental Specifications | |
|--|---|
| Seal | Hermetic, 10 E-9 atm cc/sec |
| Temperature Range | -55°C to +100°C |
| Shock | Sawtooth @ 20G, 11ms, ½ Sine @ 25G, 11ms |
| Vibration | 10-2000 Hz, 20G |
| Water / Steam | 2750 psi waterjet, 105 psi steam, boiling water |
| Salt Spray Corrosion | MIL-STD-810G |
| Resistant to corrosion, chemicals, and fungal growth | |

| Auxiliary contacts (optional) - Form A, SPST Normally Open | |
|--|-------------|
| Switching Current (max) | 1A at 28VDC |
| Switching Current (min) | 0.1mA at 5V |

Coil Ratings at 25°C
 *Contact factory for additional coil voltages

| Coil P/N Designation | B | C | F |
|-----------------------------|--------------|--------------|-------------|
| Coil Voltage, Nominal | 12 VDC | 24 VDC | 48 VDC |
| Coil Voltage, Max | 16 VDC | 32 VDC | 64 VDC |
| Pick-Up Voltage, Max | 8 VDC | 16 VDC | 40 VDC |
| Drop-Out Voltage | 0.5 to 4 VDC | 2 to 7.5 VDC | 4 to 15 VDC |
| Pick-Up Current, Max (75ms) | 3.9 A | 1.6 A | 0.97 A |
| Coil Current | 0.23 A | 0.097 A | 0.042 A |
| Coil Power | 2.8 W | 2.3 W | 2 W |
| Internal Coil Suppression | Transorb | | |
| Coil Back EMF | 55 V | | 125 V |
| Transients, Max (13ms) | ±50 V | | ±75 V |
| Reverse Polarity | 16 V | 32 V | 64 V |



| Options and Accessories | |
|-------------------------|--|
| | |
| | |

GIGAVAC®

P.O. Box 4428
Santa Barbara, CA 93140

www.gigavac.com info@gigavac.com +805-684-8401

Rev 5 27/Jan/22 © 2013 GIGAVAC, LLC Page 2 of 2 **MX23**

Datasheets provided by Sensata Technologies, Inc., its subsidiaries and/or affiliates (“Sensata”) are solely intended to assist third parties (“Buyers”) who are developing systems that incorporate Sensata products (also referred to herein as “components”). Buyer understands and agrees that Buyer remains responsible for using its independent analysis, valuation, and judgment in designing Buyer’s systems and products. Sensata datasheets have been created using standard laboratory conditions and engineering practices. Sensata has not conducted any testing other than that specifically described in the published documentation for a particular datasheet. Sensata may make corrections, enhancements, improvements, and other changes to its datasheets or components without notice.

Buyers are authorized to use Sensata datasheets with the Sensata component(s) identified in each particular datasheet. HOWEVER, NO OTHER LICENSE, EXPRESS OR IMPLIED, BY ESTOPPEL OR OTHERWISE TO ANY OTHER SENSATA INTELLECTUAL PROPERTY RIGHT, AND NO LICENSE TO ANY THIRD PARTY TECHNOLOGY OR INTELLECTUAL PROPERTY RIGHT, IS GRANTED HEREIN. SENSATA DATASHEETS ARE PROVIDED “AS IS”. SENSATA MAKES NO WARRANTIES OR REPRESENTATIONS WITH REGARD TO THE DATASHEETS OR USE OF THE DATASHEETS, EXPRESS, IMPLIED, OR STATUTORY, INCLUDING ACCURACY OR COMPLETENESS. SENSATA DISCLAIMS ANY WARRANTY OF TITLE AND ANY IMPLIED WARRANTIES OF MERCHANTABILITY, FITNESS FOR A PARTICULAR PURPOSE, QUIET ENJOYMENT, QUIET POSSESSION, AND NON-INFRINGEMENT OF ANY THIRD PARTY INTELLECTUAL PROPERTY RIGHTS WITH REGARD TO SENSATA DATASHEETS OR USE THEREOF.

All products are sold subject to Sensata’s terms and conditions of sale supplied at www.sensata.com. SENSATA ASSUMES NO LIABILITY FOR APPLICATIONS ASSISTANCE OR THE DESIGN OF BUYERS’ PRODUCTS. BUYER ACKNOWLEDGES AND AGREES THAT IT IS SOLELY RESPONSIBLE FOR COMPLIANCE WITH ALL LEGAL, REGULATORY, AND SAFETY-RELATED REQUIREMENTS CONCERNING ITS PRODUCTS, AND ANY USE OF SENSATA COMPONENTS IN ITS APPLICATIONS, NOTWITHSTANDING ANY APPLICATIONS-RELATED INFORMATION OR SUPPORT THAT MAY BE PROVIDED BY SENSATA.

Mailing Address: Sensata Technologies, Inc., 529 Pleasant Street, Attleboro, MA 02703, USA

CONTACT US

Regional head offices:

United States of America

Sensata Technologies

Attleboro, MA

Phone: 508-236-3800

E-mail: support@sensata.com

Netherlands

Sensata Technologies Holland B.V.

Hengelo

Phone: +31 74 357 8000

E-mail: support@sensata.com

China

Sensata Technologies China Co., Ltd.

Shanghai

Phone: +8621 2306 1500

E-mail: support@sensata.com

Copyright © 2023 Sensata Technologies, Inc.