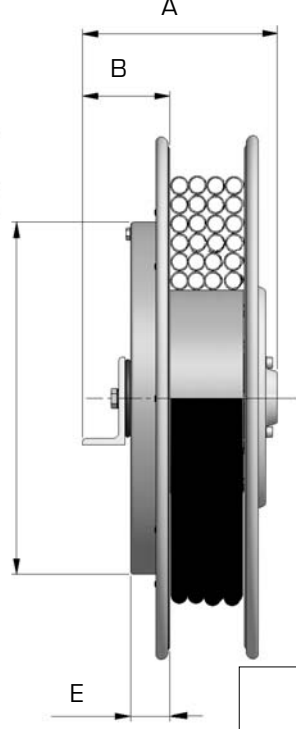
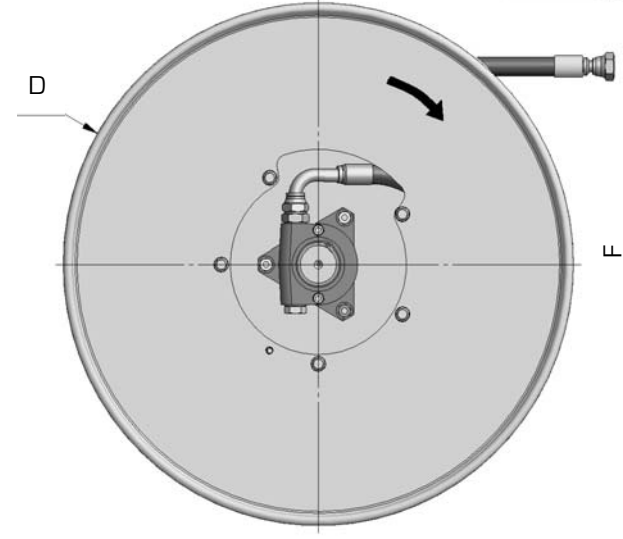
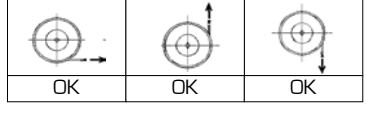


141.1

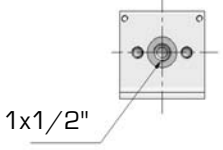
.08	30 l/min
.10	30 l/min
.12	40 l/min
.16	60 l/min
.19	80 l/min
.26	135 l/min

W. P.
350 bar

MAX HOSE SPEED
30 m/min



MULTI SPIRAL



M1D 470 = MODELLO DESTRO / RIGHT MODEL
M1S 470 = MODELLO SINISTRO / LEFT MODEL
Es. ORD: M1D 470.10.2SN

Modello destro	A	B	D	E	F	con tubo - with hose				
						Lunghezza totale - Total length (Utile - Usable = - 0,5m)				
Right model	mm					Ø	XX = 1SN	XX = 2SN	XX = SB1	XX = R16
						m	m	m	m	m
M1D295.06.XX			295			1/4"	4,7	3,5	5,5	4,7
M1D320.06.XX			325			1/4"	5,0	4,7	6,0	4,7
M1D320.08.XX				5/16"	4,5	4,0	5,0	4,5		
M1D320.10.XX				3/8"	4,5	4,0	4,5	4,5		
M1D340.06.XX			340			1/4"	5,5	5,0	6,0	5,5
M1D340.08.XX				5/16"	4,7	4,7	5,5	4,7		
M1D340.10.XX				3/8"	4,7	4,5	5,0	4,7		
M1D370.06.XX			370			1/4"	7,0	6,0	10,0	7,0
M1D370.08.XX				5/16"	7,0	5,5	9,0	7,0		
M1D370.10.XX				3/8"	6,0	5,0	9,0	6,0		
M1D470.06.XX			478			1/4"	15,5	14,5	16,0	15,5
M1D470.08.XX				5/16"	14,5	13,5	15,5	14,5		
M1D470.10.XX				3/8"	13,5	12,5	15,0	13,5		
M1D520.06.XX			520			1/4"	17,5	16,0	22,5	17,5
M1D520.08.XX				5/16"	16,5	15,0	21,5	16,5		
M1D520.10.XX				3/8"	15,5	14,0	21,5	15,5		
M1D520.12.XX						1/2"	13,5	11,5	16,0	13,5
M1D570.08.XX			570			5/16"	17,5	16,5	18,5	17,5
M1D570.10.XX				3/8"	16,5	16,5	17,5	16,5		
M1D570.12.XX				1/2"	15,5	14,5	16,5	-		
M1D600.10.XX			620			3/8"	20,5	-	26,0	20,5
M1D600.12.XX				1/2"	20,5	-	26,0	20,5		
M1D700.12.XX			720			1/2"	26,5	23,5	30,5	26,5