

PRINCIPAL TECHNICAL CHARACTERISTICS CARACTERISTIQUES TECHNIQUES PRINCIPALES



• **3 possible versions**

- Single indicator
- Momentary action pushbutton (1 stable position)
- Alternate action pushbutton (2 stable positions)

3 versions possibles

- Indicateur simple
- Bouton poussoir à action momentanée (1 position stable)
- Bouton poussoir à action alternée (2 positions stables)

• **Up to 4 field split display**

Possibilité de 1 à 4 secteurs de couleur et de gravure différente

• **4 PDT output contacts**

4 Contacts

• **Engraving / Optical technology**

1. Classical
2. Sunlight readable
3. « NVG » compatible

Technologie Optique / Gravure

1. Classique
2. Lisible « plein soleil »
3. Compatible « JVN »

• **Applicable standard : MIL-S-22885**

Norme de référence : MIL-S-22885

• **Special models available upon request**

Modèles spécifiques sur demande

MECHANICAL CHARACTERISTICS CARACTERISTIQUES MECANIQUE

Weight standard unit with mounting sleeve, without connector <i>Masse standard avec boîtier de fixation, sans connecteur</i>	24.2 ± 0.5 grams
Weight standard unit with mounting sleeve and connector <i>Masse standard avec boîtier de fixation et avec connecteur</i>	36.2 ± 1.2 grams
Mechanical life <i>Durée de vie mécanique</i>	>100 000 cycles
Protrusion of head <i>Protusion de tête</i>	E1: 3 ± 0.5 mm E2: 7 ± 0.5 mm
Actuation force <i>Force d'appui</i>	10N ± 2.5N
Actuation force with option sealing of cap <i>Force d'appui avec l'option tête étanche</i>	13.5N ± 2.5N
Applicable force to release the button <i>Force applicable au relâchement du bouton</i>	3.5N ± 1.5N
Applicable force to release the button (J2 option) <i>Force applicable au relâchement du bouton (option J2)</i>	4N ± 1.5N
Push button travel (head in ON position / initial position) <i>Course bouton poussoir (tête en position ON / position initial)</i>	0.65 ± 0.25mm
Full travel <i>Course jusqu'en butée</i>	2.6 ± 0.25mm
Head retention (from its body) <i>Effort de rétention tête</i>	14N ± 2N
Mounting panel thickness <i>Epaisseur du panneau de montage</i>	19 mm max.
Applicable torque on fixing screws <i>Couple de serrage des vis de fixation</i>	0.10 Nm
Maximal applicable force (without damage) <i>Force maximale applicable (sans dommage)</i>	50 N

AMERICAS.

Tel: +1 714-736-7599

<http://www.esterline.com/powersystems>

EUROPE.

Tel: +33 3 87 97 31 01

Fax: +33 3 87 97 96 86

ASIA

Tel: +852 2 191 3830

Fax: +852 2 389 5803

ELECTRICAL CHARACTERISTICS
CARACTERISTIQUES ELECTRIQUE

Contact bounce for individual switches <i>Temps de rebond pour un switch synchronisé entre les 4 pôles</i>	< 2.5 ms
Time between 4 poles / Temps entre 4 pôles	<5 ms
Dielectric strength / Rigidité diélectrique	< 0.5 mA (1000 Vrms / 50 Hz)
Insulation resistance / Résistance d'isolement	>1000 MΩ (500Vdc)
Initial contact resistance at nominal current <i>Résistance du contact initiale au courant nominal</i>	<25 mΩ
Electrical life at full load / Durée de vie électrique à pleine charge	>50 000 cycles
Normal surge voltage / Surtension normal	According to MIL-RTCA DO 160E section 16
Abnormal surge voltage / Surtension anormal	According to MIL-RTCA DO 160E section 16
Voltage spike / Pic de tension	According to MIL-RTCA DO 160E section 17, (600Vdc/10µs)

ELECTRICAL SWITCH RATING
POUVOIR DE COUPURE

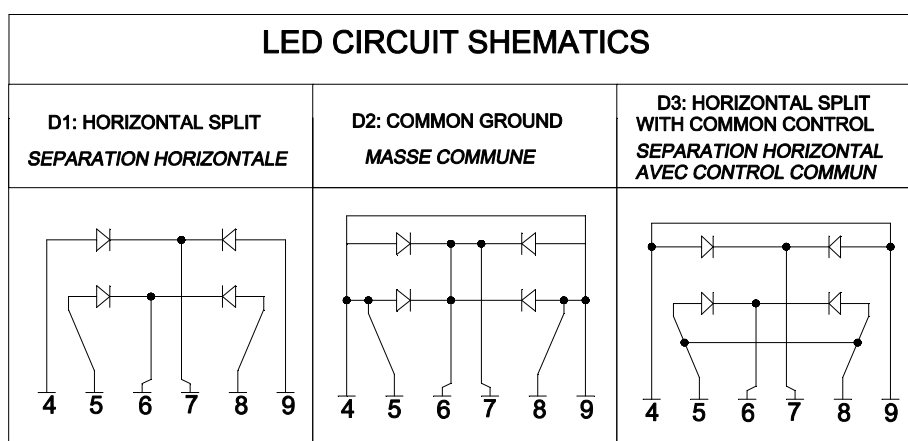
Contact material B1	
28 Vdc rating (see level) -Inductive -Resistive -Lamp	4 A 7 A 2.5 A
28 Vdc rating (50 000FT) -Inductive -Resistive -Lamp	2.5 A 4 A 2.5 A
115V AC rating (see level) -Inductive -Resistive -Lamp	7 A 7 A 2 A
Contact material B2 or J7	
28 Vdc rating (see level) -Inductive -Resistive	500 mA 1 A
28 Vdc rating (50 000FT) -Inductive -Resistive	500 mA 1 A

LED CIRCUIT DETAIL
CIRCUIT LED

Dielectric strength/ Rigidité diélectrique	0.5 mA (1000Vrms / 50Hz)
Insulation resistance at 500 Vdc/ Résistance d'isolement sous 500 Vcc	> 1000 MΩ

LED offer optical performance in luminance and colour. They improve legend uniformity. L404 has very long operating time. They allow lower power consumption and lower surface temperature than incandescent lamp can do.

Les LED offrent des performances en luminescence et en couleur. Ils améliorent l'uniformité de la légende. L404 à une très longue durée de fonctionnement. Ils permettent de réduire la consommation et la température, par rapport à une lampe à incandescence.



ENVIRONMENTAL DATA
CARACTERISTIQUES D'ENVIRONNEMENT

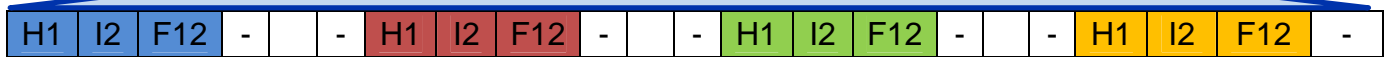
Operating temperature/ Température d'utilisation	-55 C à +85 C. According to RTCA-DO 160E section 4 and 5
Terminal shock / Choc terminal	According to MIL-PRF-22885-G
Vibration / Vibrations [1]	15g 10-2000 Hz according to MIL-PRF-22885-G
Acceleration / Accélération [1]	20g according to MIL-PRF-22885-G
Shock / Choc [1]	75g (6ms) according to MIL-PRF-22885-G
Humidity / Humidité relative [1]	RH 95% at +40°C (96 hours) according to MIL-PRF-22885-G
Salt spray / Brouillard salin	According to MIL-PRF-22885-G
Sand and dust / Sable et poussière	According to MIL-PRF-22885-G
Moisture resistance / Résistance à l'humidité	According to MIL-PRF-22885-G
Radio frequency emission / Emission de fréquence radio	Not applicable (passive components)
Radio frequency susceptibility / Fréquence radio susceptible	According to MIL-RTCA DO 160E section 20, category R
Lightning induced transient / Eclairc transitoir induit [3]	A2 – G2 Waveform 3 according to RTCA-DO 160E section 22
Moisture resistance / Résistance à l'humidité	

STANDARD FEATURES AND OPTIONS CONFIGURATION STANDARD ET OPTIONS

A/ Version	B/ Contact material	D/ LED circuit	E/ Head protrusion	J/ Option	
1: Indicator	1: 1-7A (high level)	1: Horizontal split	1: 3mm	1: Flip gard	51: Connector with crimp contacts with fixing holes
2: Momentary	2: 1A or less (low level)	2: Common ground	2: 7mm	2: Sealing of cap	6: Connector with PCB contacts without fixing holes
3: Alternate	3x: 1xB1+3xB2	3: Horizontal split with common control	3: other on request	3: Alternating longer travel	61: Connector with PCB contacts with fixing holes
	4x: 2xB1+2xB2	X: Optional		4: Mounting spacer	7: Specifics pins without grommet
	5x: 3xB1+1xB2			5: Connector with crimp contacts without fixing holes	71: Specifics pins with grommet

G/ Lens configuration							
G1	G2	G3*	G4	G5*	G6*	G7*	G8
1	1 2	1 2	1 2 3	1 3 2	1 2 3	1 2 3	1 2 4 3
*: Requires installation of pushbutton in rotated position							

L304- A3 B2 D2 E1 G8 - See below - J5 J1

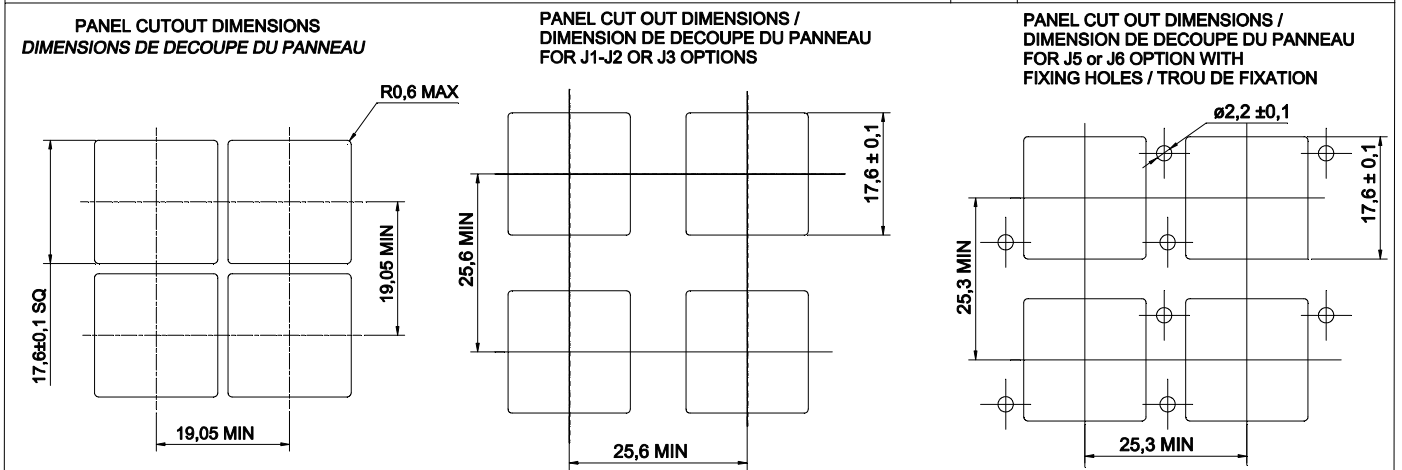
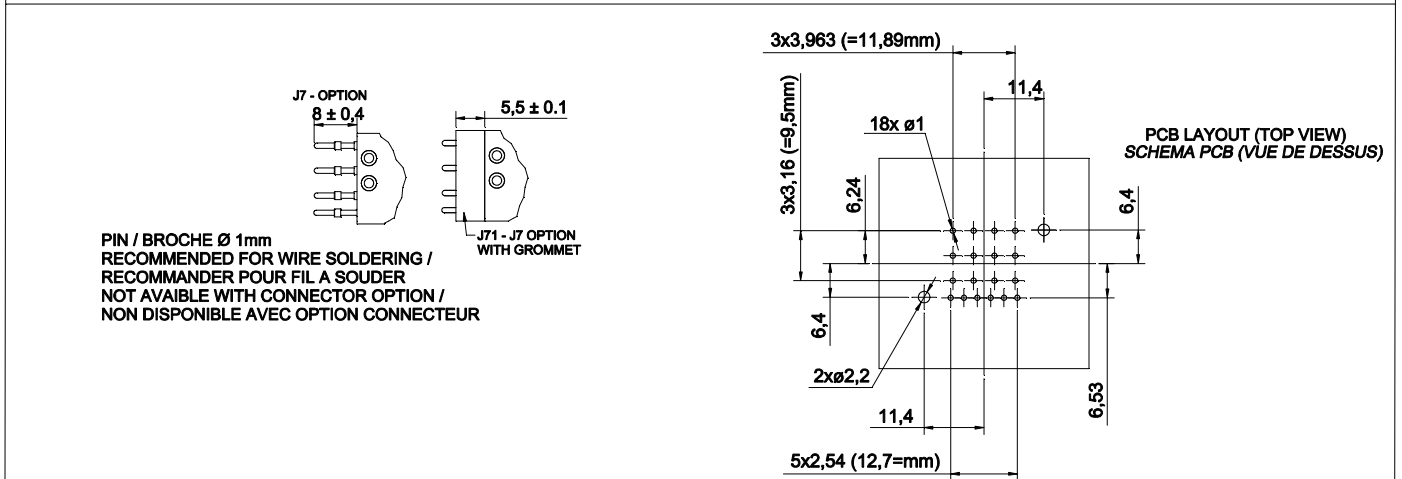
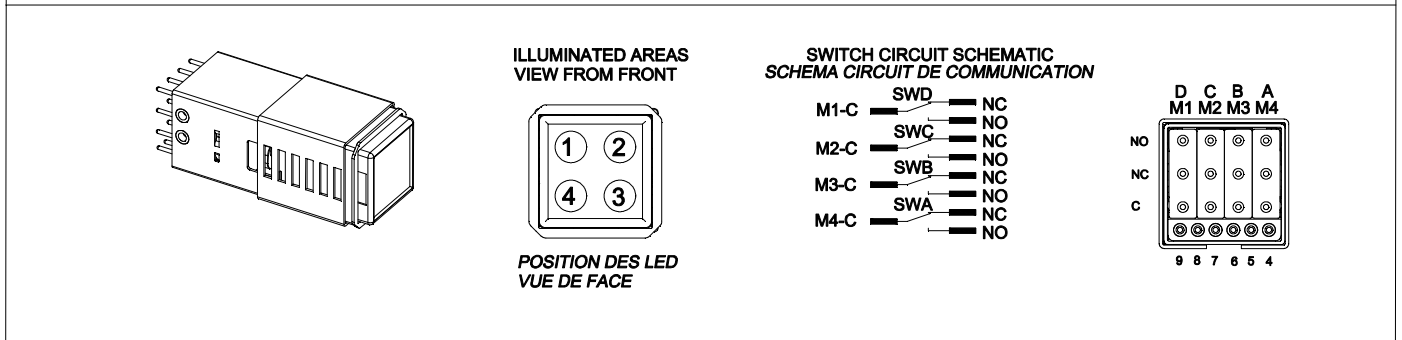
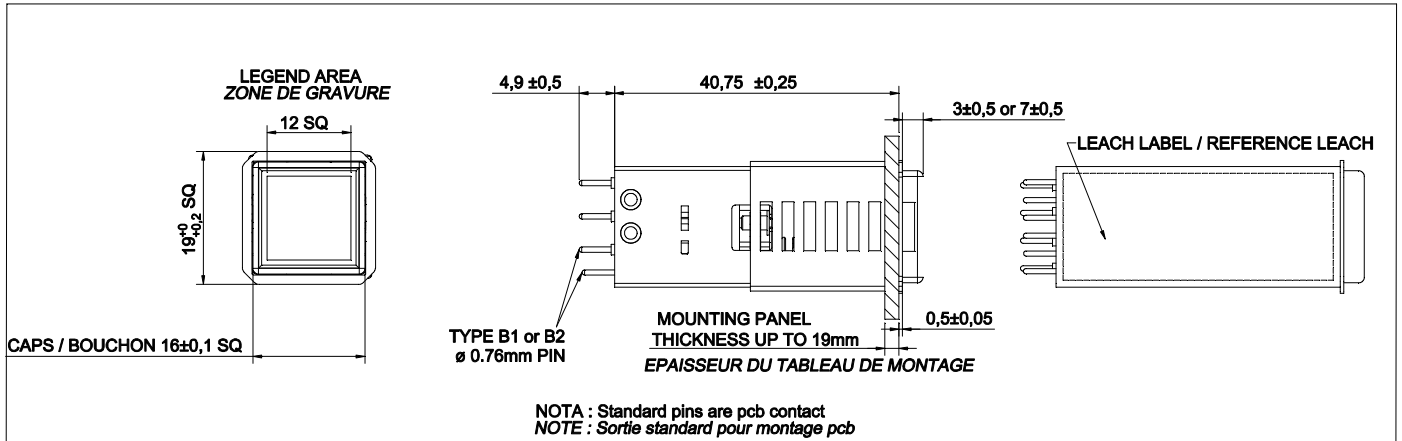


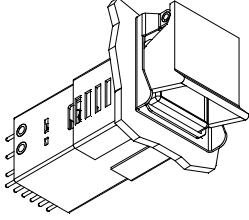
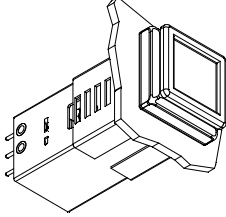
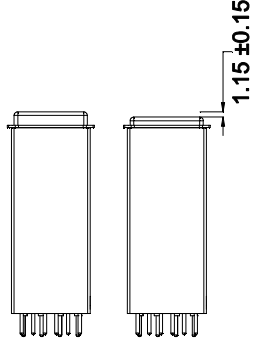
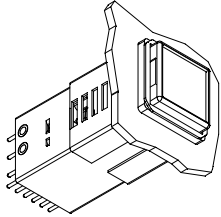
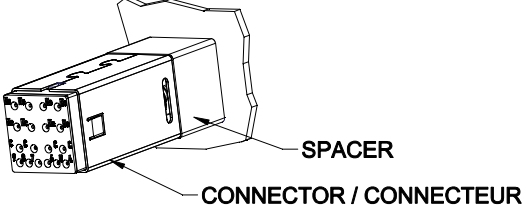
H-W-C or X/ Legend type and style DIN Engschrift 1451 – Height 3,5mm (Standard) (Other legend style or height on request)			
Type	Description	Unlighted	Lighted
H1	Hidden legend	Black background	Colored lighted legend / Black background
H2	Hidden background	Black background	Black legend / Colored lighted background
W1	White legend	White legend / Black background	Colored lighted legend / Black background
W2	White background	Black legend / White background	Black lighted legend / Colored lighted background
C1	Colored legend	Colored legend / Black background	Colored lighted legend / Black background
C2	Colored background	Black legend / Colored background	Black lighted legend / Colored lighted background
X	Other specific legend type on request, contact us for information.		

F/ Supply voltage	
1: 28V	1: AC
2: 24V	2: DC
3: 12V	3: PWM
4: 6V	
5: other on request	

I/ Color	
1: Yellow	9: Green B class B
2: Blue	10: Red class B
3: Green	11: Yellow class A
4: Red	12: Yellow class B
5: White	13: White class A
6: Green A class A	14: White class B
7: Green A class B	15: Other on request
8: Green B class A	

DIMENSIONS DIMENSIONS



<p>1- FLIP GUARD 1- INTERDIT DE RELEVAGE</p>  <p>OPTION: ON REQUEST SUR DEMANDE</p>	<p>2- SEALING OF CAP 2- CAPOT ETANCHE</p>  <p>HEAD PROTRUSION FOR THIS OPTION: 6,5mm ONLY TETE DE PROTRUSION POUR CETTE OPTION: 6,5mm SEULEMENT</p> <p>OPTION: ON REQUEST SUR DEMANDE</p>	<p>3- LONGER ALTERNATE TRAVEL(1,15mm) 3-COURSE ALTERNATIVE (1,15mm)</p>  <p>OPTION: ON REQUEST SUR DEMANDE</p>
<p>4- MOUNTING SPACER 4- ENTRETOISE</p>  <p>OPTION: ON REQUEST SUR DEMANDE</p>	<p>5- CONNECTOR WITH CRIMP CONTACTS REMOVABLE AWG 20-22-24 (WITH OR WITHOUT FIXING HOLES) (AVEC OU SANS TROU DE FIXATION)</p>  <p>CONNECTORS AVAILABLE ON REQUEST CONNECTEURS DISPONIBLES SUR DEMANDE</p>	