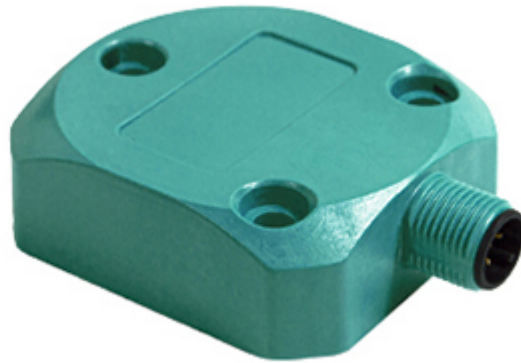


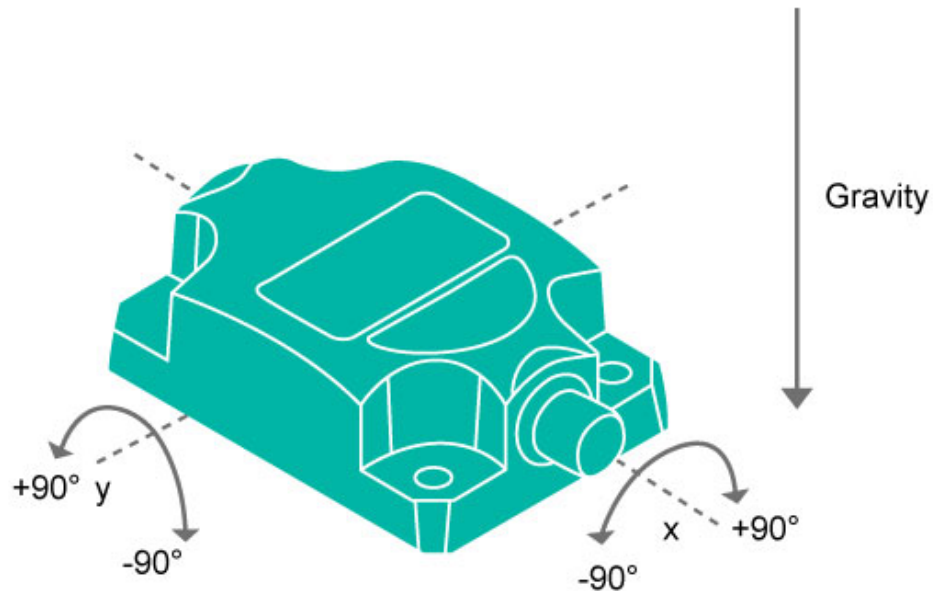
TILTIX Inclinometer

ACS-090-2-CA01-HE3-PM



General Specifications

Application	2-Axes Position Monitoring and Leveling
Measurement Range	$\pm 90^\circ$
Absolute Accuracy	$\pm 0.10^\circ$
Resolution	0.01°
Device Orientation	Horizontal



Only for reference of the orientation of the product.

Electrical Specifications

Supply Voltage	10 - 30 VDC
Current Consumption	≤ 65 mA @ 10 V DC, ≤ 60 mA @ 24 V DC
EMC: Emitted Interference	DIN EN 61000-6-4
EMC: Noise Immunity	DIN EN 61000-6-2
Reverse Polarity Protection	Yes
Short Circuit Protection	Yes
MTTF	350 years @ 40 °C

Environmental Specifications

Operating Temperature	-40 °C (-40 °F) - +85 °C (+185 °F)
Storage Temperature	-40 °C (-40 °F) - +85 °C (+185 °F)
Temperature Gradient	0.004°/ K
Protection Class	IP66/IP67
Shock Resistance	≤ 100 g (half sine 6 ms, EN 60068-2-27)

Data Sheet

Printed at 22-09-2023 10:09



Vibration Resistance	1.5 mm (10 Hz - 58 Hz) & ≤ 20 g (58 Hz to 2000 Hz)
----------------------	--

Mechanical Specifications

Housing Material	Fibre-Reinforced PBT (Polybutylene Terephthalate)
Potting Material	None
Weight	100 g (0.22 lb)

Interface

Interface	CANopen
Settling Time	min 30 ms; default 200 ms (dependent on filter settings)
Output Driver	Transceiver (ISO 11898), Galvanically Isolated by Opto-Coupl
Profile	DS-410
Transmission Rate	min. 20 kBaud, max. 1 MBaud
Default Transmission Rate	125 kBaud
Default Node ID	1h

Electrical Connection

Connection Type	Connector M12 (5 pin)
Connector	M12, Male, 5 pin, a coded

Product Life Cycle

Product Life Cycle	New
--------------------	-----

Certification

Approval	CE
----------	----

Connection Plan

SIGNAL	PIN NUMBER
Power Supply	2
GND	3
CAN High	4
CAN Low	5
CAN GND	1

Dimensional Drawing

[2D Drawing](#)

Accessories

Connectors & Cables

M12, 5pin A-Coded, Male

5m PUR Cable, 5pin, A-Coded, f

2m PUR Cable, 5pin, A-Coded, f

Angled M12, 5pin A-Coded, Female

2m PUR Cable, 5pin, A-Coded, m

10m PUR Cable, 5pin, A-Coded, f

5m PUR Cable, 5pin, A-Coded, m

POS M12 5pin-A Female+5m PUR Cable

10m PUR Cable, 5pin, A-Coded, m

POS M12 5pin-A Female+2m PUR Cable

POS M12 5pin-A Female+10m PUR Cable

M12, 5pin A-Coded, Female

More

Got questions? Need an individual solution? We are here to help!



Contact Us

All dimension in [inch] mm. This drawing and the information contained is for general presentation purposes only. Please refer to the "Download" section for detailed technical drawings. © FRABA B.V., All rights reserved. We do not assume responsibility for technical inaccuracies or omissions. Specifications are subject to change without notice.

Data Sheet

Printed at 22-09-2023 10:09