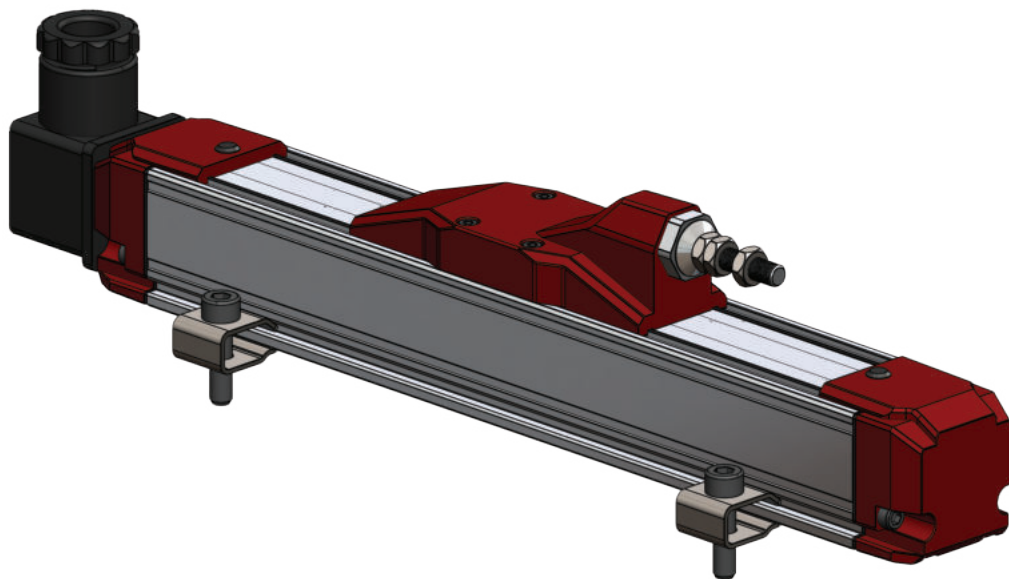


RPH

Linear Potentiometer

Long Stroke Series 100 - 1.950 mm



1. TECHNICAL SPECIFICATIONS

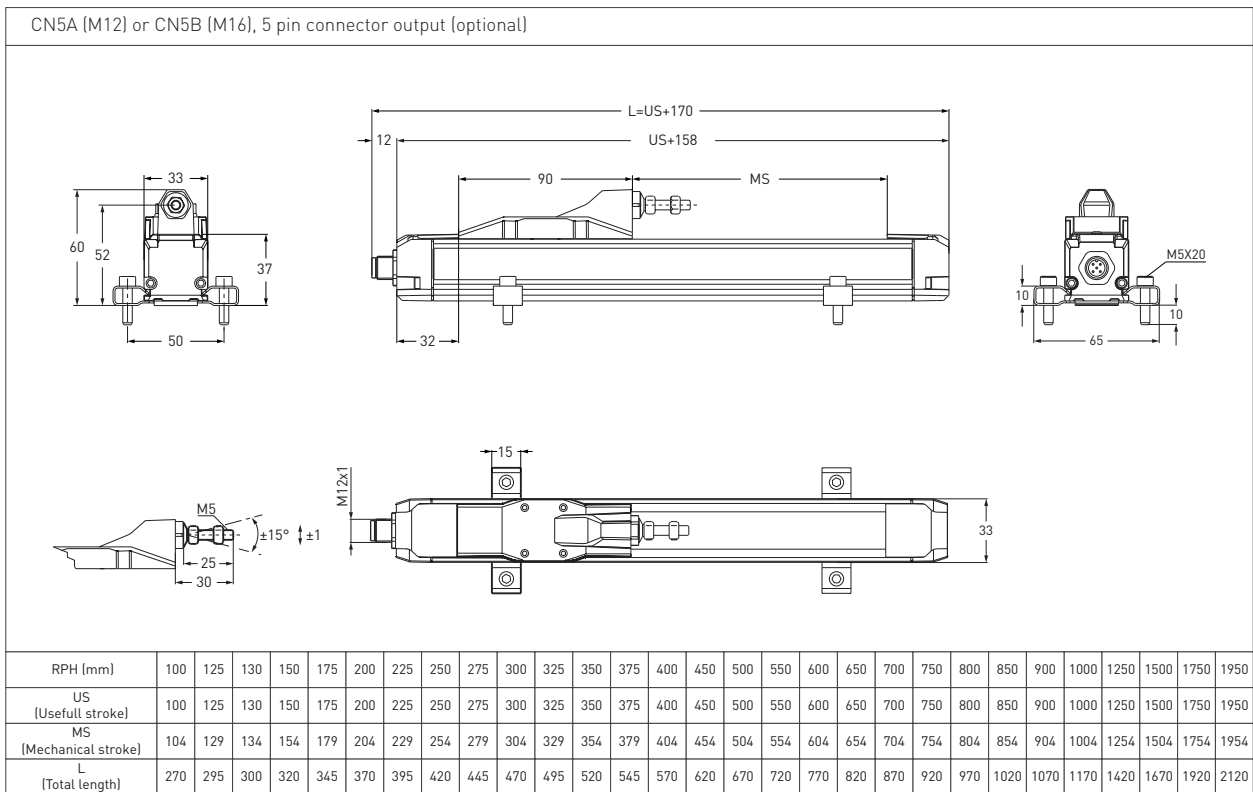
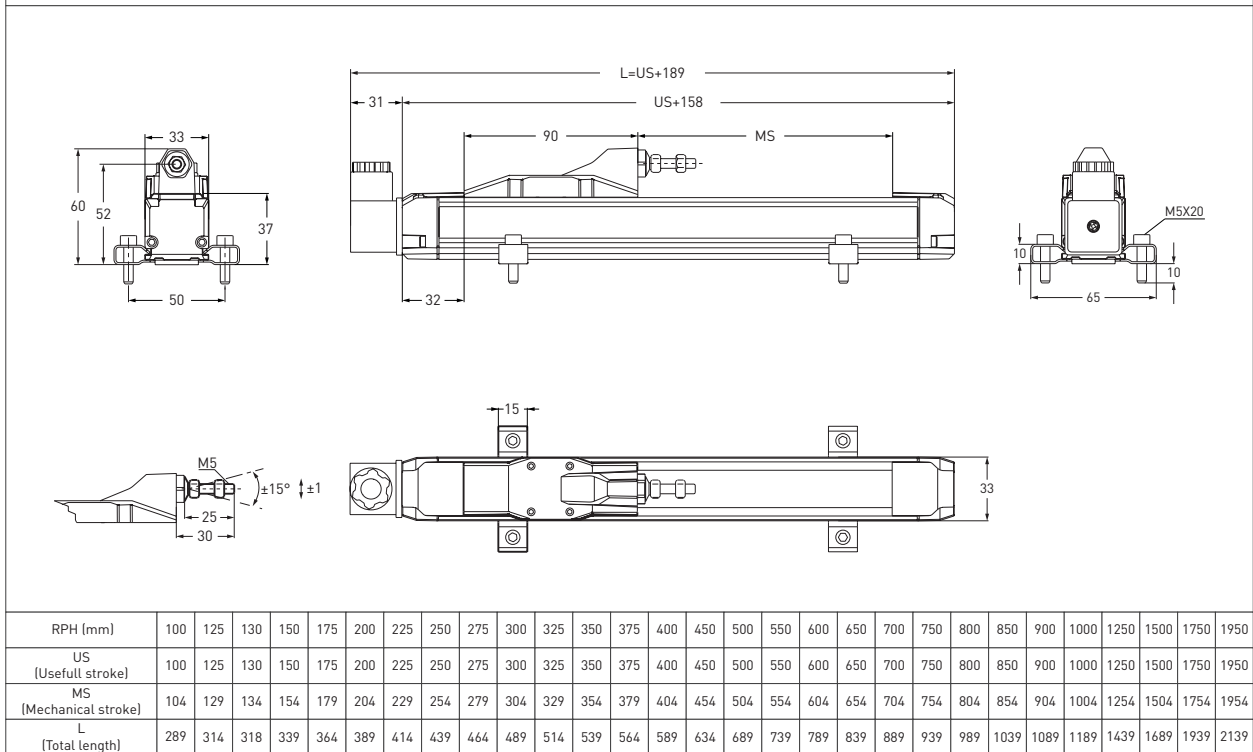


Measurement stroke	100 - 1.950 mm
Resolution	Infinite
Repeatability	< 0.01 mm
Permissible applied voltage	28 VDC max.
Electrical connections	CH1: Hydraulic type, 4 pin connector output (standard) CN5A(M12) or CN5B(M16), 5 pin connector output (optional) Cable output (optional)
Displacement speed	< 1,5 m/s
Mechanical life	100 million movement
Protection level	IP 40 / upside down IP 53
Resistance	5 kOhm : 100 - 600 mm 10 kOhm : 650 - 1.000 mm 20 kOhm : 1.250 - 1.950 mm
Resistance tolerance	± %20
Load resistance	100 kOhm min.
Recommended wiper current	<1 µA
Linearity	B: ±%0.2 (100 - 125 mm) C: ±%0.1 (130 - 225 mm) D: ±%0.05 (>250 mm)
Case dimensions	33 mm x 32 mm
Case material	Anodized aluminium
Caps material	ABS Plastic
Mechanical fixing	Variable brackets
Operating temperature	-20°C ... +80°C
Storage temperature	-30°C ... +90°C

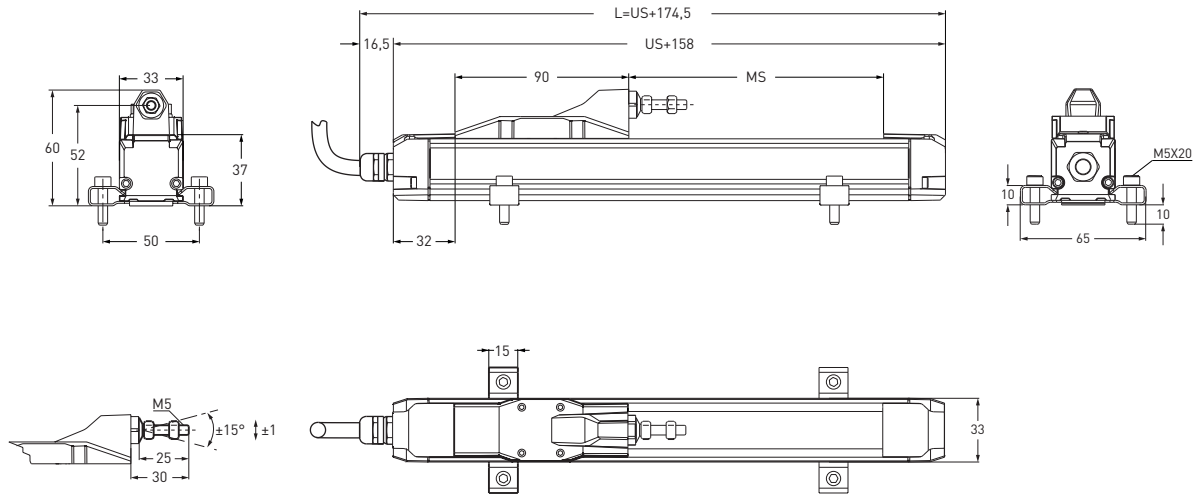
2.MECHANICAL SPECIFICATIONS



CH1: Hydraulic type, 4 pin connector output (standard)



Cable output (optional)

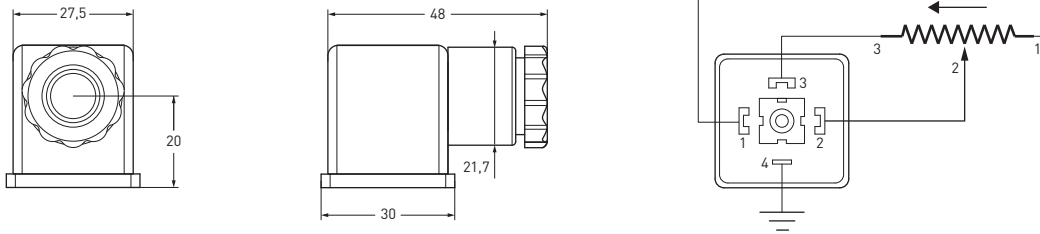


RPH (mm)	100	125	130	150	175	200	225	250	275	300	325	350	375	400	450	500	550	600	650	700	750	800	850	900	1000	1250	1500	1750	1950
US (Usefull stroke)	100	125	130	150	175	200	225	250	275	300	325	350	375	400	450	500	550	600	650	700	750	800	850	900	1000	1250	1500	1750	1950
MS (Mechanical stroke)	104	129	134	154	179	204	229	254	279	304	329	354	379	404	454	504	554	604	654	704	754	804	854	904	1004	1254	1504	1754	1954
L (Total length)	274,5	299,5	304,5	324,5	349,5	374,5	399,5	424,5	449,5	474,5	499,5	524,5	549,5	574,5	624,5	674,5	724,5	774,5	824,5	874,5	924,5	974,5	1024,5	1074,5	1174,5	1424,5	1674,5	1924,5	2124,5

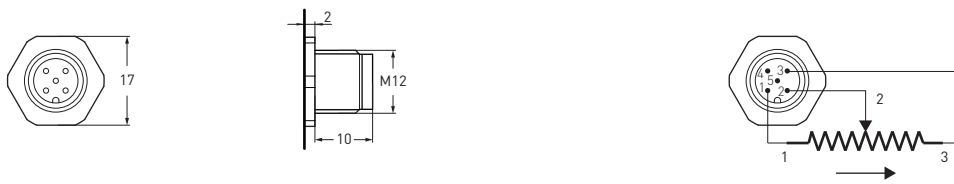
3.CONNECTORS, CABLE AND BRACKET



CH1: Hydraulic type, 4 pin connector output (standard)



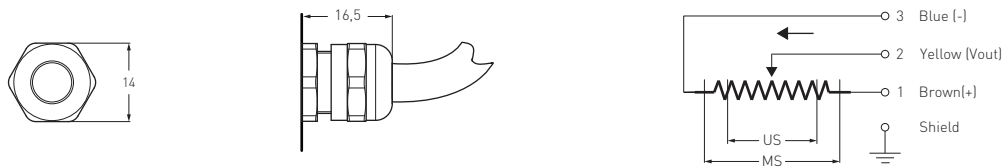
CN5A: M12, 5 pin connector output (optional)



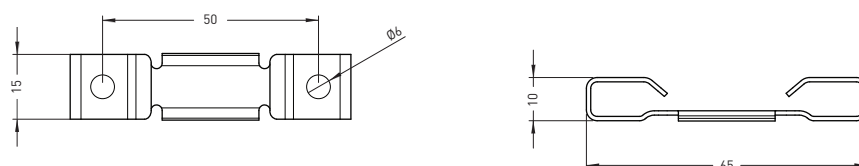
CN5B: M16, 5 pin connector output (optional)

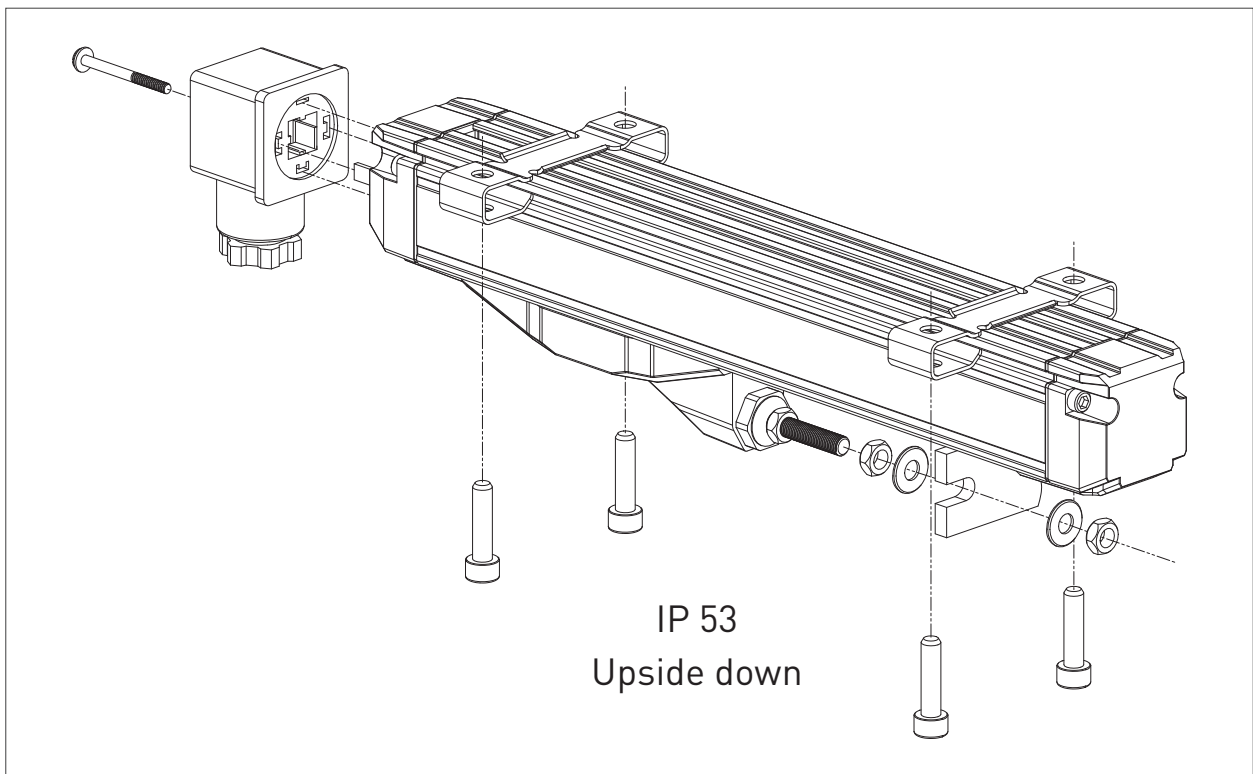
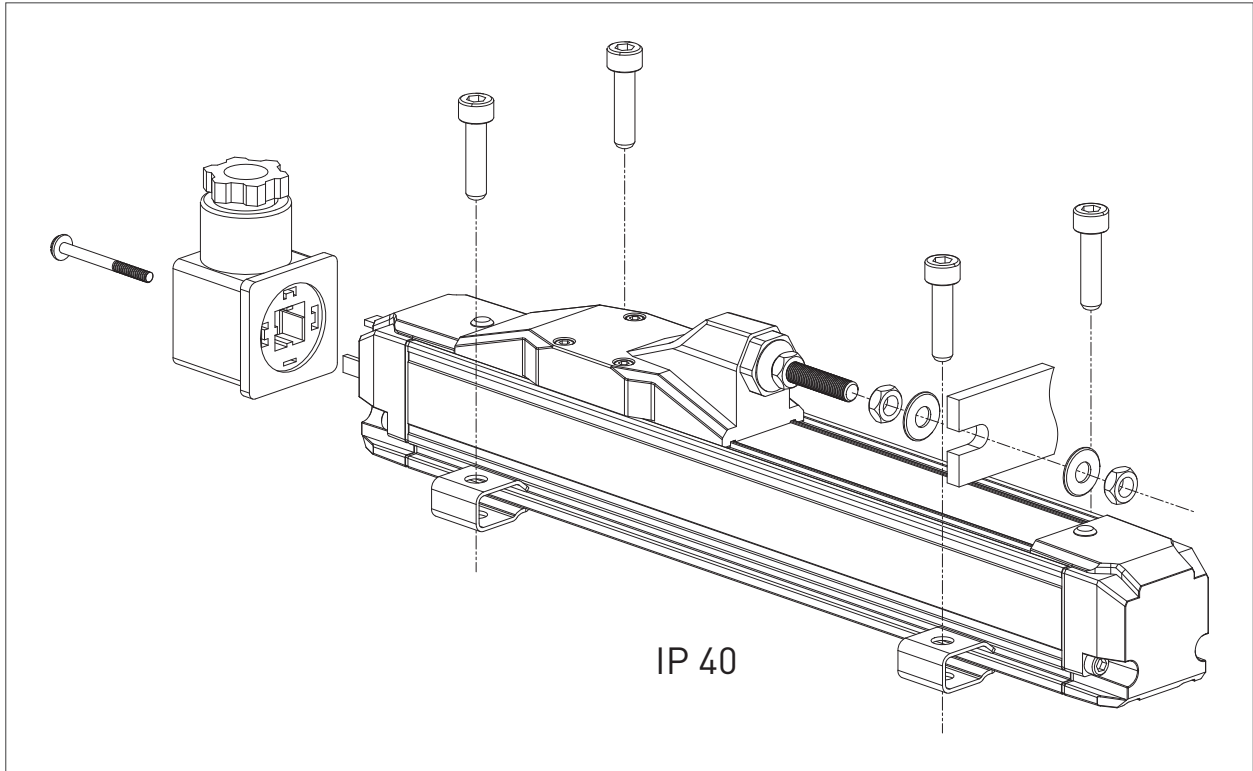


Cable output (optional)



BR02: Bracket





5. ORDERING PROCEDURE



1	Model RPH: Linear Potentiometer Long Stroke Series
2	Measuring range 100 - 1.950 mm
3	Linearity B: $\pm 0.2\%$ (100 - 125 mm) C: $\pm 0.1\%$ (130 - 225mm) D: $\pm 0.05\%$ (≥ 250 mm)
4	Resistance (kOhm) 5K : 5 kOhm (100 - 600 mm) 10K: 10 kOhm (650 - 1.000 mm) 20K: 20 kOhm (1.250 - 1.950 mm)
5	Connector / Cable CH1: Hydraulic type, 4 pin connector (standard) CN5A: 5 pin, M12 connector (optional) CN5B: 5 pin, M16 connector (optional) 1M: 1 meter cable (optional)

For example:

RPH	500	D	5K	CH1
1	2	3	4	5

TÜRKİYE
Headquarter, R&D, Production

OPKON Optik Elektronik Kontrol Sanayi ve Ticaret A.Ş.
Terazidere Mah. 29 Ekim Cad. No:34 Bayrampaşa / İstanbul / TÜRKİYE
Phone : +90 (212) 501 48 63
Fax : +90 (212) 501 48 83
Web : www.opkon.com.tr
E-mail : export@opkon.com.tr

GERMANY
Subsidiary

SENSORMARKET GmbH
Graeffstrasse. 5, 50823 Köln / GERMANY
Phone : +49 22159495400
Fax : +49 22159495402
Web : www.sensormarker.eu
E-mail : sales@sensormarket.eu

CHINA
Subsidiary

DANZI Sense Technology
(Shanghai) Co., LTD. Room 123 - B, F/1, No. 1000 Ziyue Road, Minhang District, 200240 Shanghai / CHINA
Hotline : 400 8050 889
Phone : 021 - 64091719
Fax : 021 - 64091713
Web : www.opkonchina.com
E-mail : marketing@opkonchina.com

opkon.com.tr

Please note: The specifications and information in this datasheet may not cover all special demands arising from specific applications. Therefore, they do not constitute a comprehensive description of the product properties. OPKON accepts no responsibility for damages resulting from the improper application of our products. The user is responsible for ensuring that the products used are suitable for their own application.