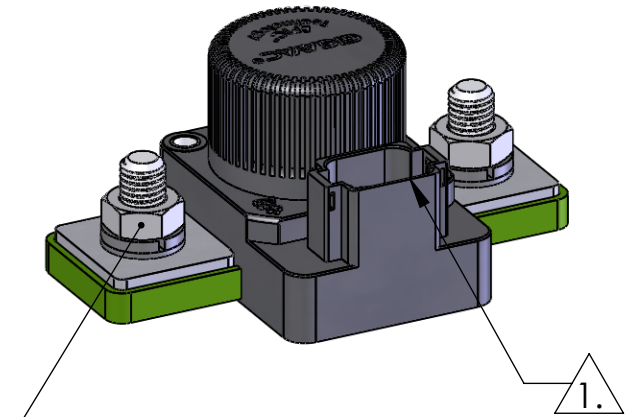
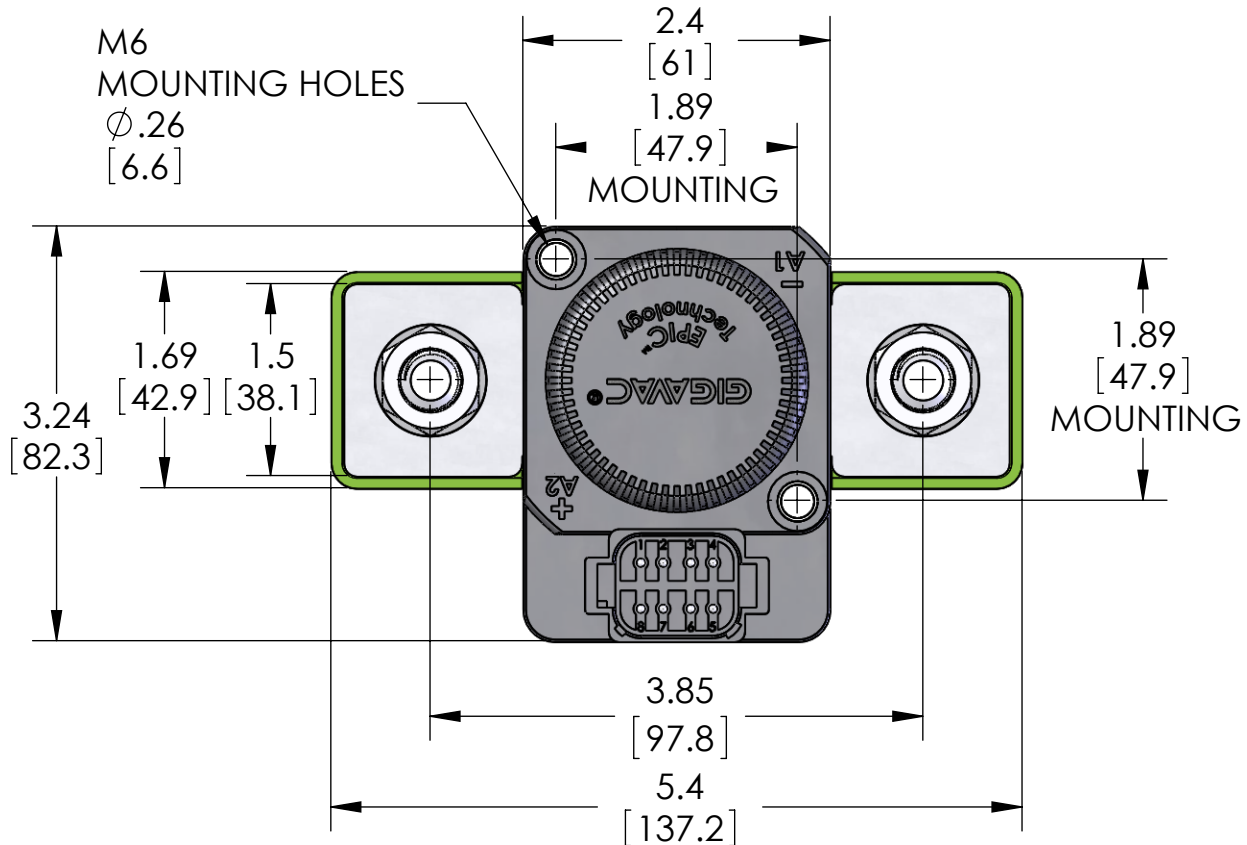


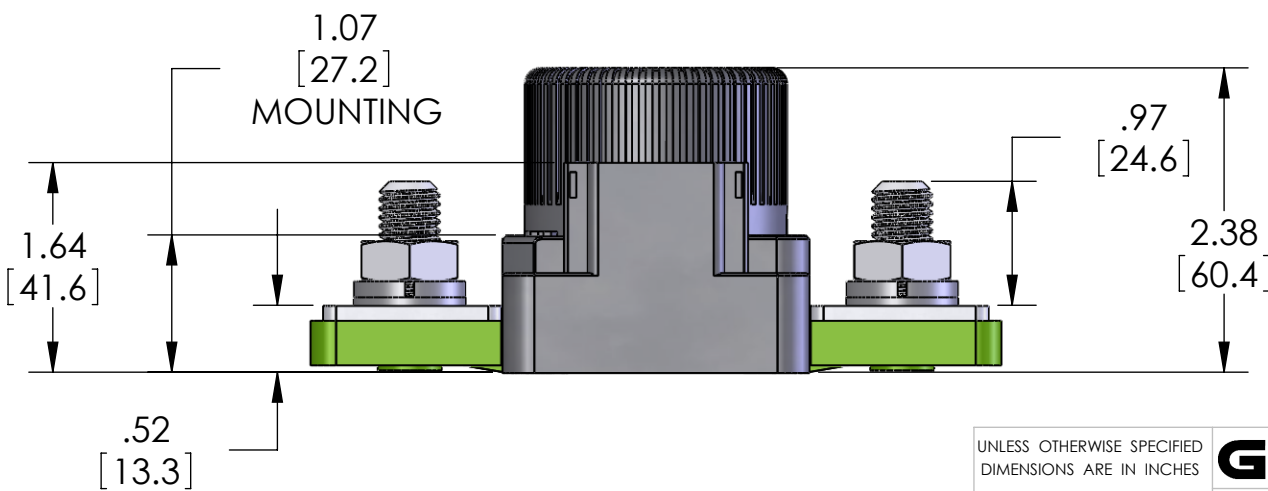
THE INFORMATION CONTAINED IN THIS DRAWING IS THE SOLE PROPERTY OF GIGAVAC LLC. ANY REPRODUCTION IN PART OR WHOLE WITHOUT THE WRITTEN PERMISSION OF GIGAVAC LLC IS PROHIBITED.

REV	DESCRIPTION	DATE	APPROVED
1	ENGINEERING RELEASE	11/26/2013	R.ULRICH



POWER CONNECTION
 ZINC PLATED, M12X1.75 BOLT
 STAINLESS M12X1.75 NUT
 STAINLESS LOCK WASHER
 STAINLESS FLAT WASHER

TORQUE 200-300 IN-LB (22-33 Nm)



CASE MATERIAL
 DUPONT ZYTEL FR50

1. MATING DEUTSCH CONNECTOR	
PART NUMBER	DESCRIPTION
DT06-08SA	CONNECTOR HOUSING
0462-201-16141	SOCKET
114017	SEALING PLUG
HDT-48-00	RECOMMENDED CRIMPER
W8S	WEDGE

UNLESS OTHERWISE SPECIFIED
 DIMENSIONS ARE IN INCHES

GIGAVACTM

6382 ROSE LANE,
 CARPINTERIA, CA 93013
 www.gigavac.com

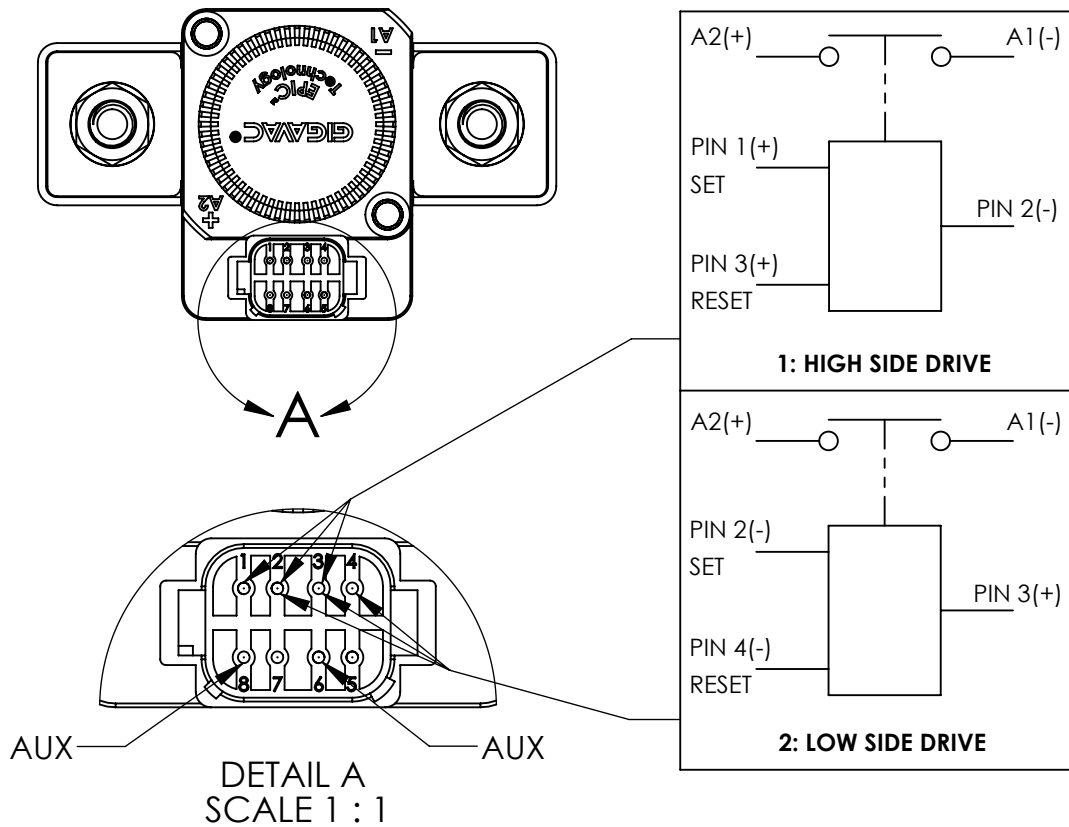
DATA SHEET: **MXL15 CONTACTOR**

SIZE: A	DWG. NO. MXL15	REV: 1
SCALE: N/A	CAD FILE: MXL15_DATASHEET.SLDDRW	SHEET 1 OF 2

THE INFORMATION CONTAINED IN THIS DRAWING IS THE SOLE PROPERTY OF GIGAVAC LLC. ANY REPRODUCTION IN PART OR WHOLE WITHOUT THE WRITTEN PERMISSION OF GIGAVAC LLC IS PROHIBITED.

Environmental Specifications	
Temperature Range	-55°C to +85°C
Weight (Typical, with hardware)	1.6 lbs, 0.72 kg
Seal	Hermetic Vacuum Braze, tested to E-9 std cc/sec
Vibration	50-2000 Hz 15G
Shock	½ Sine @20Gs, 11ms
Steam/Water-Jet/Boiling water	Withstands Water-Jet over 2750psi, Steam over 105 psi
Chemical, Corrosion, Fungal	Resistant to corrosion, chemicals, and fungal growth.
Electrical Specifications	
Insulation resistance (min)	100MΩ (50MΩ after life)
Dielectric withstanding voltage	2200Vrms
Voltage drop across contacts @ 500A	150mV (max)
Continuous Current Rating	
	Cable 400MCM 500A @85C, 85C MAX TEMPERATURE RISE
Max Current Rating	
	1 sec 3000A
	60 sec 1500A
	300 sec 850A
Set (Close) Time	
	Max 20ms
	Typical 13ms
Reset (Open) Time, Max	12ms
Resistive Load Switching	
500A @ 12/24/28 VDC	100,000 cycles
Fault interrupt @28 VDC	2000A (max)
Mechanical Life	1,000,000 cycles

Coil Data		
	12 VDC	24/28 VDC
COIL PART NUMBER	B	C
Nominal Voltage	12 VDC	24/28 VDC
Maximum Voltage	16 VDC	33 VDC
Set Voltage @23C (max)	9 VDC	13 VDC
Reset Voltage @23C (min)	7 VDC	10VDC
Coil Current	2.6 A (@12V)	1.6 A (@28V)
Pickup/Dropout Impulse Time (Internal Set)	100ms Max	



MXL15 _ _ E _

COIL VOLTAGE
B=12VDC
C=24/28VDC

HIGH/LOW SIDE DRIVE
1=HIGH SIDE
2=LOW SIDE

AUXILIARY
B=SPST, NO
BLANK=NONE

GIGAVACTM
www.gigavac.com

6382 ROSE LANE,
CARPINTERIA, CA 93013
(805) 684-8401

DATA SHEET: MXL15 CONTACTOR

SHEET 2 OF 2

REV 1

Datasheets provided by Sensata Technologies, Inc., its subsidiaries and/or affiliates (“Sensata”) are solely intended to assist third parties (“Buyers”) who are developing systems that incorporate Sensata products (also referred to herein as “components”). Buyer understands and agrees that Buyer remains responsible for using its independent analysis, valuation, and judgment in designing Buyer’s systems and products. Sensata datasheets have been created using standard laboratory conditions and engineering practices. Sensata has not conducted any testing other than that specifically described in the published documentation for a particular datasheet. Sensata may make corrections, enhancements, improvements, and other changes to its datasheets or components without notice.

Buyers are authorized to use Sensata datasheets with the Sensata component(s) identified in each particular datasheet. HOWEVER, NO OTHER LICENSE, EXPRESS OR IMPLIED, BY ESTOPPEL OR OTHERWISE TO ANY OTHER SENSATA INTELLECTUAL PROPERTY RIGHT, AND NO LICENSE TO ANY THIRD PARTY TECHNOLOGY OR INTELLECTUAL PROPERTY RIGHT, IS GRANTED HEREIN. SENSATA DATASHEETS ARE PROVIDED “AS IS”. SENSATA MAKES NO WARRANTIES OR REPRESENTATIONS WITH REGARD TO THE DATASHEETS OR USE OF THE DATASHEETS, EXPRESS, IMPLIED, OR STATUTORY, INCLUDING ACCURACY OR COMPLETENESS. SENSATA DISCLAIMS ANY WARRANTY OF TITLE AND ANY IMPLIED WARRANTIES OF MERCHANTABILITY, FITNESS FOR A PARTICULAR PURPOSE, QUIET ENJOYMENT, QUIET POSSESSION, AND NON-INFRINGEMENT OF ANY THIRD PARTY INTELLECTUAL PROPERTY RIGHTS WITH REGARD TO SENSATA DATASHEETS OR USE THEREOF.

All products are sold subject to Sensata’s terms and conditions of sale supplied at www.sensata.com. SENSATA ASSUMES NO LIABILITY FOR APPLICATIONS ASSISTANCE OR THE DESIGN OF BUYERS’ PRODUCTS. BUYER ACKNOWLEDGES AND AGREES THAT IT IS SOLELY RESPONSIBLE FOR COMPLIANCE WITH ALL LEGAL, REGULATORY, AND SAFETY-RELATED REQUIREMENTS CONCERNING ITS PRODUCTS, AND ANY USE OF SENSATA COMPONENTS IN ITS APPLICATIONS, NOTWITHSTANDING ANY APPLICATIONS-RELATED INFORMATION OR SUPPORT THAT MAY BE PROVIDED BY SENSATA.

Mailing Address: Sensata Technologies, Inc., 529 Pleasant Street, Attleboro, MA 02703, USA

CONTACT US

Regional head offices:

United States of America

Sensata Technologies

Attleboro, MA

Phone: 508-236-3800

E-mail: support@sensata.com

Netherlands

Sensata Technologies Holland B.V.

Hengelo

Phone: +31 74 357 8000

E-mail: support@sensata.com

China

Sensata Technologies China Co., Ltd.

Shanghai

Phone: +8621 2306 1500

E-mail: support@sensata.com

Copyright © 2023 Sensata Technologies, Inc.