

# L140TG-4

## 14inch Rugged Laptop with Intel® Core™ i5-1135G7



### KEY FEATURES

- 11th Gen. Intel® Processor Family – Tiger Lake Processor
- Fanless Cooling System
- Rugged extreme with 14" 1920 x 1080 LED panel with direct optical bonding
- Anti-glare technology for sunlight readability
- Flip design for quick switching between rugged laptop and rugged tablet modes
- Dual battery with hot-swappable design for whole-day-work
- Expansion slot supporting optional 2nd removable SSD and smart card reader

CE FC IC



### SPECIFICATIONS

Display	
<b>Bonding</b>	Optical Bonding for Sunlight Viewability
<b>Size</b>	14 inches
<b>Panel Brightness</b>	700 nits
<b>Type</b>	Projected Capacitive Multi Touch
<b>Resolution</b>	1920x1080
<b>Contrast Ratio</b>	800:1
<b>View Angles</b>	85,85,85,85
System Specification	
<b>Processor</b>	Intel Core i5-1135G7 2.4GHz (up to 4.2GHz)
<b>Memory</b>	8GB DDR4 SDRAM 16GB DDR4 SDRAM (Optional) 32GB DDR4 SDRAM (Optional)
<b>Storage</b>	256GB M.2 SSD 512GB M.2 SSD (Optional) 1TB M.2 SSD (Optional) 2TB M.2 SSD (Optional) Additional storage available with up to 2TB M.2 (PCIe NVMe) SSD, self-encrypted. (Optional)
<b>Ethernet controller</b>	1 x RJ45-10/100/1000 Mbps LAN
<b>Security</b>	Trusted Platform Module (TPM) 2.0 Kensington Lock
<b>Operating System</b>	Windows 10 IoT Enterprise LTSC (64 bit) Windows 11 IoT Enterprise SAC (64 bit) (Optional)
<b>WLAN</b>	Support
<b>BT</b>	Support
<b>WWAN</b>	4G LTE (Optional)
<b>GNSS</b>	GPS/GLONASS
<b>RFID</b>	HF RFID reader 13.56 MHz (Optional)
<b>Smart Card Reader</b>	Smart Card Reader (Optional)
<b>Fingerprint Scanner</b>	Fingerprint scanner (Optional)
Camera	
<b>Front Camera</b>	2MP front camera
<b>Rear Camera</b>	8MP rear camera with autofocus and LED light (Optional)
Mechanical	
<b>Dimension</b>	340 x 230 x 38 mm
<b>Weight</b>	2.5 kg
<b>Cooling System</b>	Fanless thermal design
IO Ports	
<b>USB Port</b>	3 x USB 3.0 (Type A), 1 x USB 3.0 (Type C)
<b>Serial Port</b>	1 x RS232 (DB9)
<b>SD Card Slot</b>	1 x Micro SDXC Slot
<b>SIM Card Slot</b>	1 x Nano SIM card slot
<b>Video</b>	1 x HDMI 4K Output (Optional)
<b>Audio</b>	1 x Audio combo 3.5mm audio combo jack

Dual Digital Mic With Noise Cancellation  
Dual Speaker

**Expansion Port** 1 x Expansion slot for smart card reader and removable SSD (Optional)

**Indicator** 4x LED Indicator for Power, Battery, HDD, RF status

**LAN** 1 x RJ45-10/100/1000 GigaLAN port

**Environment**

<b>Operating Humidity</b>	10% to 90% RH, non-condensing	<b>Operating Temperature</b>	-20°C to 50°C (AC mode), 0°C to 40°C (Battery mode)
<b>Storage Temperature</b>	-30°C to 70°C	<b>Shock</b>	MIL-STD-810H Method 516.8 Procedure I
<b>Vibration</b>	MIL-STD-810H Method 514.8 Procedure I	<b>IP rating</b>	IP65
<b>Drop</b>	MIL-STD-810H Method 516.8, 3 ft		

**Certification**

**Certification** CE, FCC

**Security Function**

<b>SOTI MobiControl</b>	SOTI MobiControl Compliance	<b>Kensington Lock</b>	Kensington Lock Support
-------------------------	-----------------------------	------------------------	-------------------------

**Control**

**Button** 1 x Power, 2 x volume key, 2 x Programmable Function Keys

**Power**

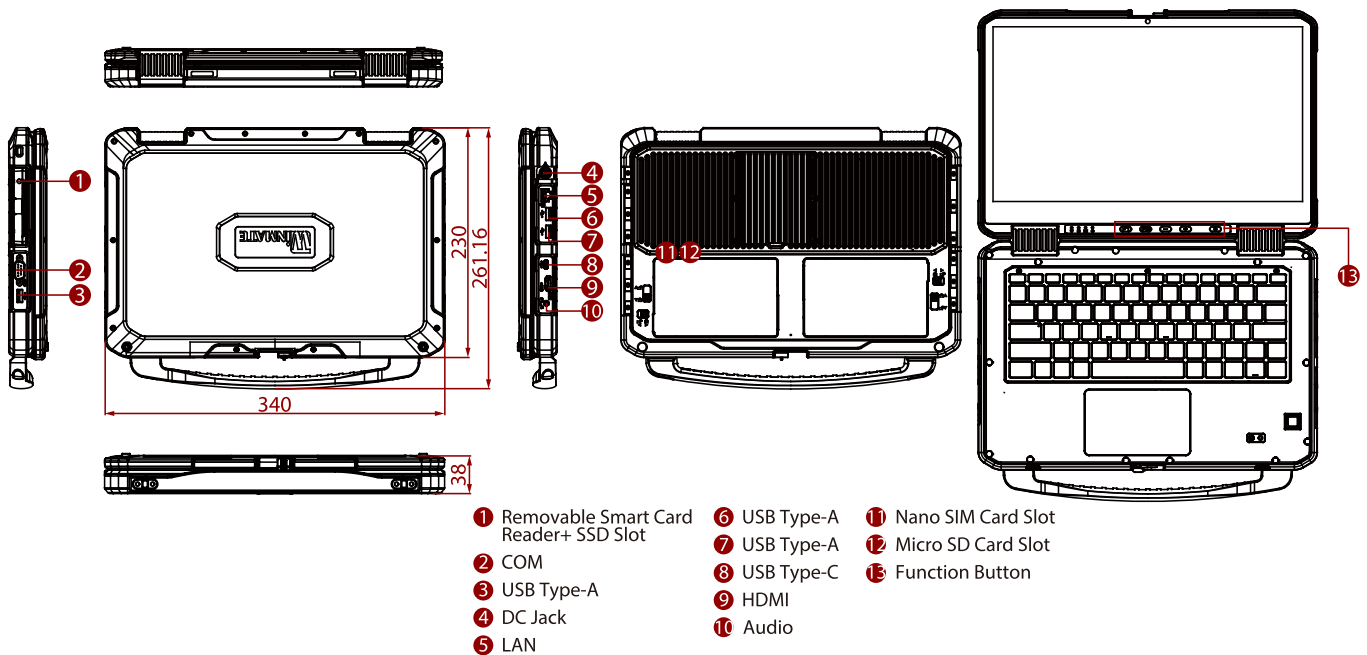
<b>Battery</b>	Hot-swappable 2 x 10.8V typ. 2400 mAh Li-Ion Battery (3S1P)	<b>Battery Operating Time</b>	Standard Battery: 8 hours
<b>Power Rating</b>	19V DC	<b>Adapter</b>	100-240V, 50-60Hz (19V DC)

**Accessory**

<b>Accessory</b>	Adapter and Power Cord Standard Battery	<b>Optional Accessory</b>	Spare Battery (Optional) Battery Charger (Optional) Vehicle Charger (Optional)
------------------	--	---------------------------	--

**Barcode Scanner**

**DIMENSIONS** UNIT:MM



## NOTE

/ Disclaimer /

1. Accessories and Integrated Options may vary depending on your configuration.
2. Total usable memory and storage will be less dependent upon actual system configuration.
3. The actual transfer speed will vary depending on many factors including the processing speed of the host device, file attributes, and other factors related to the system configuration and your operating environment.
4. The USB Type-C connector follows USB 3.0 standard, which does not support Alternate Mode (ALT) or USB Power Delivery (USB-PD).
5. The battery life is measured at dimming LCD brightness. Varies depending on the usage conditions, or when an external device is attached.
6. The 2D drawing is simplified drawing and some components are not marked in detail.
7. Length measurements do not include protrusions. Weight varies with options.
8. TPM 2.0 available upon request.
9. SOTI is available upon request.
10. The product shown in this datasheet is a standard model. For diagrams that contain customized or optional I/O, please contact the Winmate Sales Team for more information.