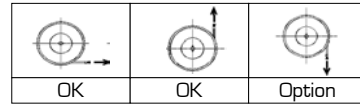
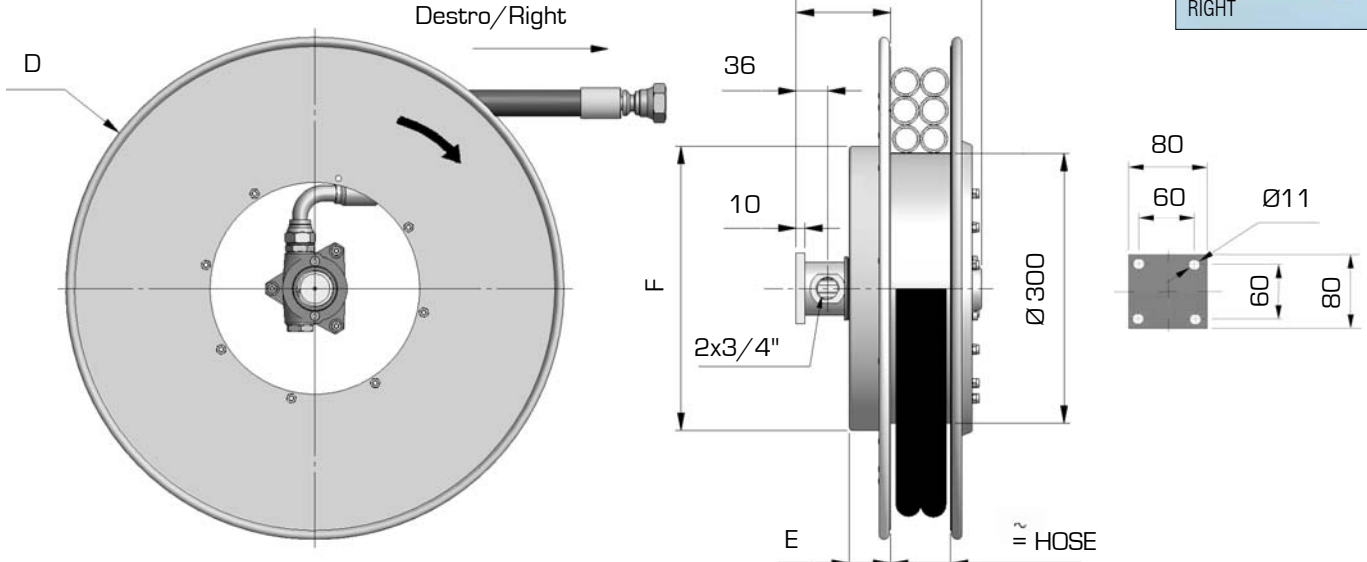


141.1
**MAX
80 l/min**
**W. P.
350 bar**
**MAX HOSE SPEED
30 m/min**

**DESTRO
RIGHT**

 AGD470 = MODELLO DESTRO / RIGHT MODEL
 AGS470 = MODELLO SINISTRO / LEFT MODEL
 Es. ORD. AGD470.19.12.B2


Modello destro Right model	A	B	D	E	F	Ø	Con tubo - with hose B1		Con tubo - with hose B2-B3	
							Lungh.totale Total length	Lungh.utile Usable length	Lungh.totale Total length	Lungh.utile Usable length
						mm				
						m	m	m	m	
AGD420.19.12.XX	212	108	420	47	322	1/2"	3,5	3,0	3,5	3,0
AGD420.19.16.XX						5/8"	-	-	2,6	2,1
AGD420.19.19.XX						3/4"	-	-	2,6	2,1
AGD470.19.12.XX	212	108	478	47	322	1/2"	5,0	4,5	5,0	4,5
AGD470.19.16.XX						5/8"	-	-	4,0	3,5
AGD470.19.19.XX						3/4"	-	-	4,0	3,5
AGD520.19.12.XX	212	108	520	47	422	1/2"	8,0	7,5	6,8	6,3
AGD520.19.16.XX						5/8"	-	-	5,4	4,9
AGD520.19.19.XX						3/4"	-	-	5,4	4,9
AGD570.19.12.XX	222	108	570	47	422	1/2"	10,0	9,5	8,5	8,0
AGD570.19.16.XX						5/8"	-	-	7,0	6,5
AGD570.19.19.XX						3/4"	-	-	7,0	6,5
AGD600.19.12.XX	232	128	620	57	422	1/2"	12,0	11,5	12,0	11,5
AGD600.19.16.XX						5/8"	-	-	8,8	8,3
AGD600.19.19.XX						3/4"	-	-	7,5	7,0
AGD650.19.12.XX	242	138	650	67		1/2"	13,0	12,5	-	-
AGD650.19.16.XX						5/8"	-	-	10,0	9,5
AGD650.19.19.XX						3/4"	-	-	9,0	8,5
AGD700.19.12.XX	242	138	720	67	532	1/2"	18,0	17,5	16,4	15,9
AGD700.19.16.XX						5/8"	-	-	13,0	12,5
AGD700.19.19.XX						3/4"	-	-	11,5	11,0
AGD800.19.12.XX	242	138	820	67	532	1/2"	25,0	24,0	21,0	20,0
AGD800.19.16.XX						5/8"	-	-	17,5	16,5
AGD800.19.19.XX						3/4"	-	-	16,0	15,0
AGD900.19.12.XX	242	138	920	67	532	1/2"	30,0	29,0	29,0	28,0
AGD900.19.16.XX						5/8"	-	-	23,0	22,0
AGD900.19.19.XX						3/4"	-	-	21,0	20,0