

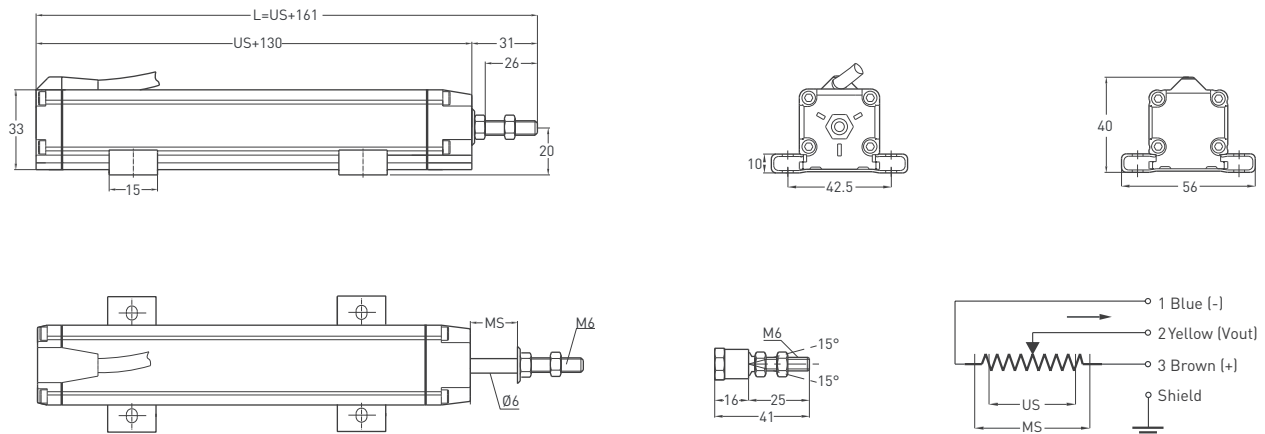
- Measuring range 30 - 1000 mm
- Internal electronic circuit
- 4-20mA, 0-20mA, 0-10V output
- <0.01 repeatability



Technical Specifications

Measurement stroke	30 - 1000 mm
Linearity	±%0.5 (≤75 mm), ±%0.2 (100-125 mm) ±%0.1(130-225 mm), ±%0.05 (≥250 mm)
Repeatability	< 0.01 mm
Resolution	Infinite
Output	4-20mA, 0-20mA, 0-10V or 20-4mA, 20-0mA, 10-0V
Permissible applied voltage	15 - 30 VDC
Electrical connections	Cable output
Displacement speed	< 5 m/s
Mechanical life	100 million movement
Case dimensions	33 mm x 33 mm
Case material	Anodized aluminium
Rod material	Stainless steel
Rod diameter	Ø6 mm
Mechanical fixing	Variable brackets
Protection level	IP 65
Operating temperature	-20°C ... +80°C
Storage temperature	-30°C ... +90°C

Mechanical Specifications



ERTK (mm)	30	50	75	100	125	130	150	175	200	225	250	275	300	325	350	375	400	450	500	550	600	650	700	750	800	850	900	1000
US (Usefull stroke)	30	50	75	100	125	130	150	175	200	225	250	275	300	325	350	375	400	450	500	550	600	650	700	750	800	850	900	1000
MS (Mechanical stroke)	34	54	79	104	129	134	154	179	204	229	254	279	304	329	354	379	404	454	504	554	604	654	704	754	804	854	904	1004
L (Total stroke)	191	211	236	261	286	291	311	336	361	386	411	436	461	486	511	536	561	611	661	711	761	811	861	911	961	1011	1061	1161

Ordering Procedure

Model	Measurement stroke (mm)	Linearity (%)	Output	Cable
ERTK	500	D	V10	1M
ERTK	30 - 1000 mm	A: ±%0.5 (≤75 mm), B: ±%0.2 (100 - 125 mm), C: ±%0.1 (130 - 225 mm), D: ±%0.05 (≥250 mm)	I40 : 4-20mA V10 : 0-10V I04 : 20-4mA V01 : 10-0V I20 : 0-20mA I02 : 20-0mA	1M : 1 meter cable(standard) 2M5 : 2.5 meter cable

Please note: The specifications and information in this datasheet may not cover all special demands arising from specific applications. Therefore, they do not constitute a comprehensive description of the product properties. OPKON accepts no responsibility for damages resulting from the improper application of our products. The user is responsible for ensuring that the products used are suitable for their own application.