
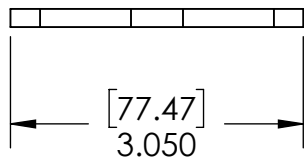
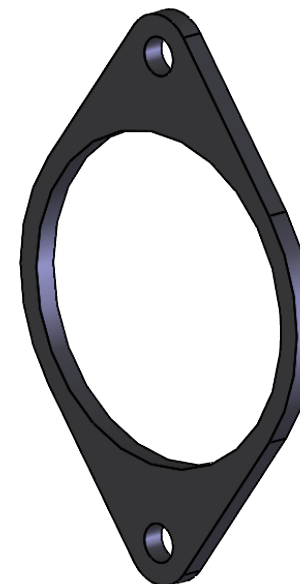
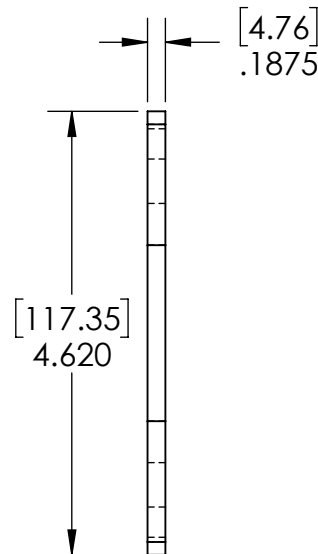
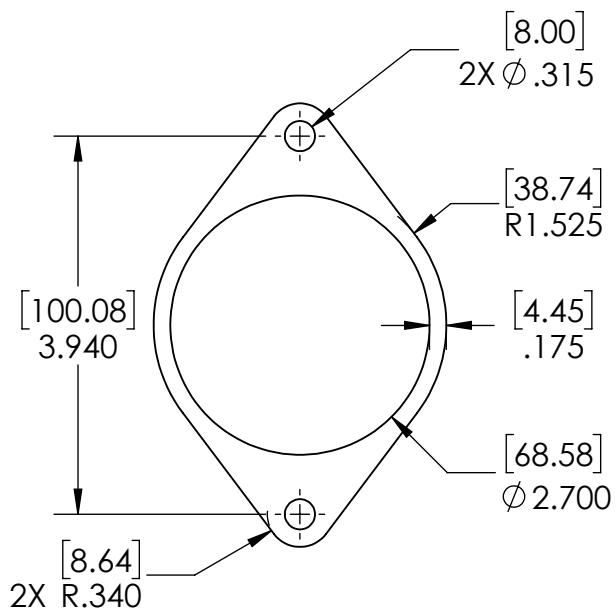



THE INFORMATION CONTAINED IN THIS DRAWING IS THE SOLE PROPERTY OF RINCON POWER LLC. ANY REPRODUCTION IN PART OR WHOLE WITHOUT THE WRITTEN PERMISSION OF RINCON POWER LLC IS PROHIBITED.

REVISIONS				
ZONE	REV.	DESCRIPTION	DATE	APPROVED
	1	ENGINEERING RELEASE	05/10/2022	MA

- NOTES:
- MATERIAL: SILICONE, DUROMETER 20A, COLOR: BLACK
 -  CRITICAL DIMENSION
 - FINISH: SPI - C2



INTELLECTUAL PROPERTY OF RINCON POWER, LLC				
UNLESS OTHERWISE SPECIFIED DIMENSIONS ARE IN INCHES		CAD GENERATED DRAWING, DO NOT MANUALLY UPDATE		 RINCON POWER™, LLC 4185 Carpinteria Avenue, Suite 3 Carpinteria, CA 93013
TOLERANCES ARE:		APPROVALS	DATE	
.X ±.05	∠ ±.5°	DRAWN BY: MA	05/10/2022	
.XX ±.01	✓ SEE NOTES	CHECKED BY:		
.XXX ±.005		RESP ENG		
.XXXX ±.0005		MFG ENG		
MATERIAL	SEE NOTES	QUAL ENG		
FINISH		DO NOT SCALE DRAWING		SIZE A DWG. NO. RP2127 REV 1 SCALE N/A CAD FILE: RP2127 SHEET 1 OF 1