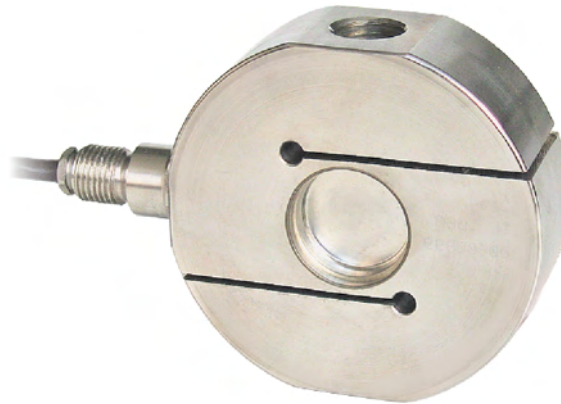


Capacity from 100 kg to 12500 kg



- 17-4 PH STAINLESS STEEL
- COMBINED ERROR $\leq \pm 0.02\%$
- PROTECTION CLASS IP68

CAPACITY	kg	ACCURACY CLASS	OIML	IECEx	Ex	EAC	NET WEIGHT OF LOAD CELL (kg)	CODE
100		-		•	•		0.7	CTL100
200		-		•	•		0.7	CTL200
300		-		•	•		0.7	CTL300
500		C3		•	•		1.4	CTL500
1000		C3		•	•		1.4	CTL1000
2500		C3		•	•		1.4	CTL2500
5000		C3		•	•		2.6	CTL5000
7500		C3		•	•		2.7	CTL7500
10000		C3		•	•		3.7	CTL10000
12500		C3		•	•		4.8	CTL12500

ON REQUEST

CERTIFICATIONS

OIML R60 C3 (see capacities table)

CERTIFICATIONS ON REQUEST

- Declaration of conformity + IP69K marking protection rating
Water protection when cleaning high pressure / steam jet (Test: pressurized hot water is sprayed from a distance of 150 mm). Water pressure 100 bar; temperature 80 ° C; test duration 250 seconds (Reference standard DIN 40050-9).
- Calibration report (ACCREDIA LAT traceability)
- ATEX II 1GD (zone 0-1-2-20-21-22)
- IECEx II 1GD (zone 0-1-2-20-21-22)
- Complies with the Eurasian Custom Union regulations (Russia, Belarus, Kazakhstan)

OPTIONS ON REQUEST

DESCRIPTION

Two redundant strain gauges Wheatstone bridges (350 Ω) with two output cables; for dual safety systems

COMPLEMENTARY ACCESSORIES

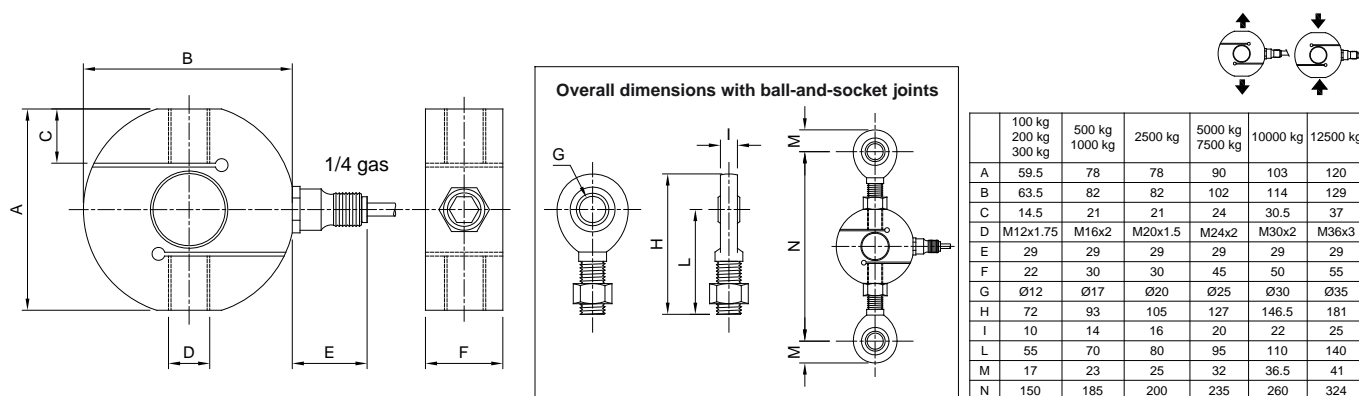
DESCRIPTION

Special steel ball-and-socket joint with nut	Load cell capacity:	
Dimensions:	100-300 kg	EM12DADO
M12x1.75	500-1000 kg	EM16DADO
M16x2	2500 kg	EM20DADO
M20x1.5	5000-7500 kg	EM25DADO
M24x2	10000 kg	EM30DADO
M30x2	12500 kg	EM35DADO
M36x3		

CODE



DIMENSIONS (mm)



TECHNICAL FEATURES

Material	17-4 PH stainless steel		
OIML R60 Accuracy class • Verification intervals	-		C3 • 3000
Nominal load (E max)	100 - 200 - 300 kg		500 - 1000 - 2500 - 5000 kg 7500 - 10000 - 12500 kg
Minimum verification interval (V min)	E max / 10000		
Combined error	≤ ±0.02%		
Protection class	IP68		
Rated output	2 mV/V ±0.1%	Input resistance	350 Ω ±5
Temperature effect on zero	0.005% °C	Output resistance	350 Ω ±2
Temperature effect on span	0.003% °C	Zero balance	±1%
Compensated temperature range	-10 °C / +50 °C	Insulation resistance	>5000 MΩ
Operating temperature range	-20 °C / +70 °C	Safe overload (% of full scale)	150%
Creep at nominal load in 30 minutes	0.05%	Ultimate overload (% of full scale)	300%
Max supply voltage without damage	15 V	Deflection at nominal load	0.3 mm

ELECTRICAL CONNECTIONS

Cable length	10 m
Cable diameter	5 mm
Cores	4/6 x 0.25 mm ²



The Company reserves the right to make changes to the technical data, drawings and images without notice.